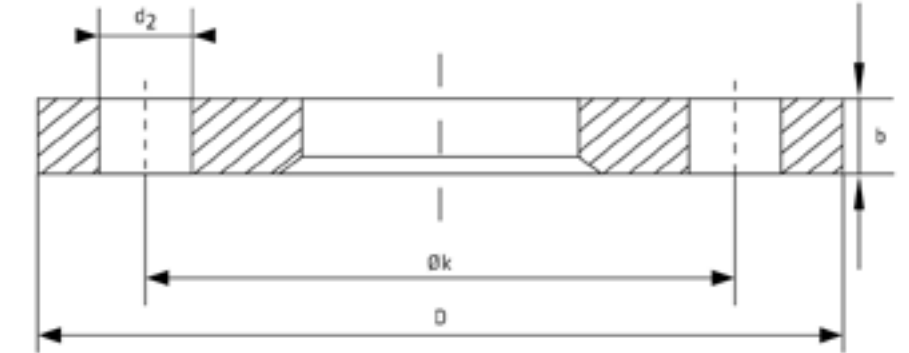




LAP-JOINT FLANGES

Aluminium DIN 2642



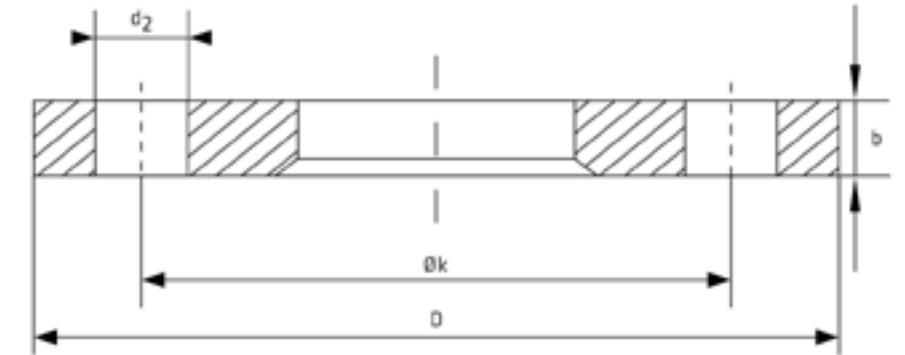
TYPE	Nominal pressure/ diameter		ØD mm	ØK mm	A mm	B2 mm	C1	E	AFM Size	ØL	INCH	Grade AISI kg/pce.	blank
	PN	DN											
A	10	15	95	65	18-20	23	16	4	4	M12	14	0.26	x
A	10	20	105	75	22-25	28	16	4	4	M12	14	0.30	x
A	10	25	115	85	28-31.8	33	16	4	4	M12	14	0.27	x
A	10	32	140	100	35-38	42	16	4	4	M16	18	0.56	x
A	10	40	150	110	40-44.5	48	18	4	4	M16	18	0.62	x
A	10	50	165	125	50-54	60	18	4	4	M16	18	0.75	x
A	10	65	185	145	69-70	75	18	4	4	M16	18	0.90	x
A	10	80	200	160	80-86	90	20	5	8	M16	18	1.10	x
A	10	100	220	180	102-106	111	20	5	8	M16	18	1.23	x
A	10	125	250	210	129-131	136	22	5	8	M16	18	1.53	x





LAP-JOINT FLANGES

Aluminium DIN 2642



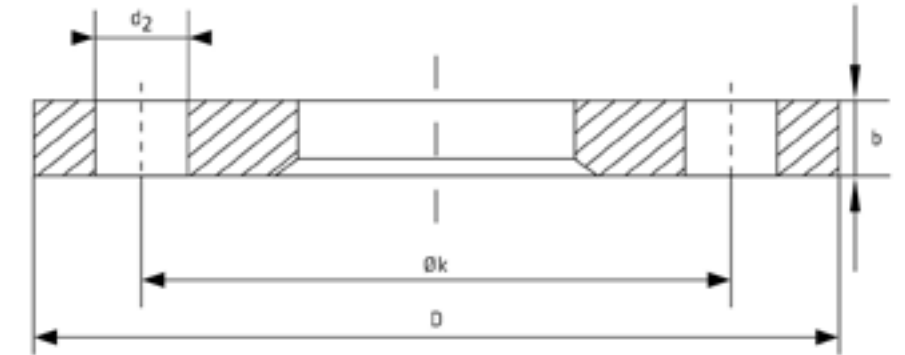
TYPE	Nominal pressure/ diameter		ØD mm	ØK mm	A mm	B2 mm	C1	E	AFM Size	ØL	INCH	Grade AISI kg/pce.	blank
	PN	DN											
A	10	150	285	240	154-156	161	22	5	8	M20	22	2.30	x
A	10	200	340	295	204-208	212	24	5	8	M20	22	2.70	x
A	10	250	395	350	254-258	264	26	5	12	M20	22	3.65	x
A	10	300	445	400	304-308	315	26	5	12	M20	22	4.27	x
C	10	10	90	60	17.2	19	16	4	4	M12	14	0.18	x
C	10	15	95	65	21.3	24	16	4	4	M12	14	0.19	x
C	10	20	105	75	26.9	30	16	4	4	M12	14	0.30	x
C	10	25	115	85	33.7	36	16	4	4	M12	14	0.27	x
C	10	32	140	100	42.4	46	16	4	4	M16	18	0.53	x
C	10	40	150	110	48.3	54	18	4	4	M16	18	0.60	x





LAP-JOINT FLANGES

Aluminium DIN 2642



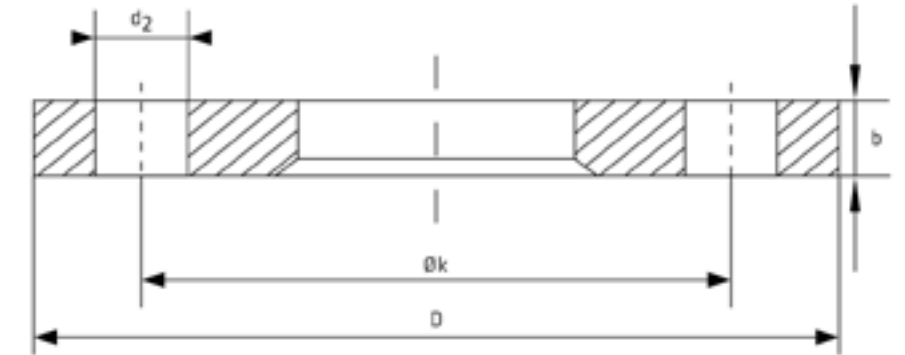
TYPE	Nominal pressure/ diameter		ØD mm	ØK mm	A mm	B2 mm	C1	E	AFM Size	ØL	INCH	Grade AISI kg/pce.	blank
	PN	DN											
C	10	50	165	125	57-60.3	65	18	4	4	M16	18	0.71	x
C	10	65	185	145	76.1	81	18	4	4	M16	18	0.83	x
C	10	80	200	160	88.9	94	20	5	8	M16	18	1.20	x
C	10	100	220	180	108-114.3	119	20	5	8	M16	18	1.27	x
C	10	125	250	210	133-139.7	145	22	5	8	M16	18	1.43	x
C	10	150	285	240	159-168.3	173	22	5	8	M20	22	1.66	x
C	10	200	340	295	219.1	225	24	5	8	M20	22	2.96	x
C	10	250	395	350	273	279	26	5	12	M20	22	3.22	x
C	10	300	445	400	323.9	329	26	5	12	M20	22	3.75	x
C	10	350	505	460	355.6	362	26	5	16	M20	22	5.13	x





LAP-JOINT FLANGES

Aluminium DIN 2642



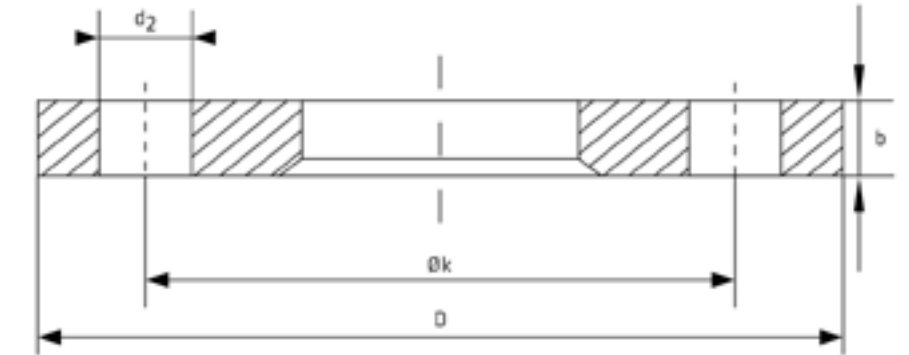
TYPE	Nominal pressure/ diameter		ØD mm	ØK mm	A mm	B2 mm	C1	E	AFM Size	ØL	INCH	Grade AISI kg/pce.	blank
	PN	DN											
C	10	400	565	515	406.4	413	32	6	16	M24	26	7.17	x
C	10	450	615	565	457.2	465	32	6	20	M24	26	9.50	x
C	10	500	670	620	508	517	34	6	20	M24	26	9.52	x
C	10	600	780	725	609.6	618	36	6	20	M27	30	13.00	x





LAP-JOINT FLANGES

Aluminium DIN 2642



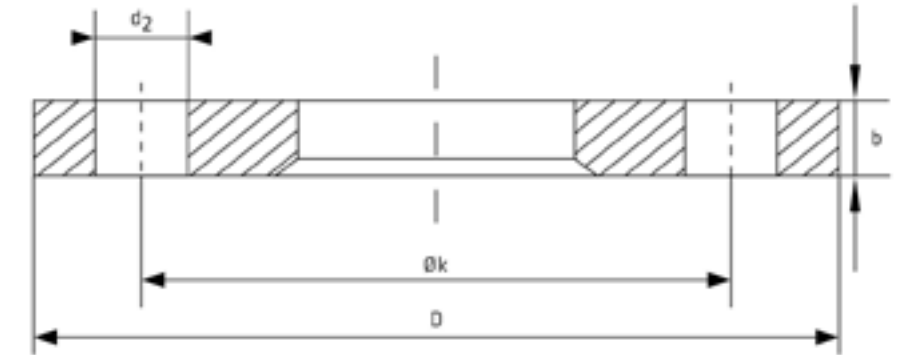
TYPE	Nominal pressure/ diameter		ØD mm	ØK mm	A mm	B2 mm	C1	E	AFM Size	ØL	INCH	Grade AISI kg/pce.	epox
	PN	DN											
A	10	15	95	65	18-20	23	16	4	4	M12	14	0.26	
A	10	20	105	75	22-25	28	16	4	4	M12	14	0.30	x
A	10	25	115	85	28-31.8	33	16	4	4	M12	14	0.27	x
A	10	32	140	100	35-38	42	16	4	4	M16	18	0.56	x
A	10	40	150	110	40-44.5	48	18	4	4	M16	18	0.62	x
A	10	50	165	125	50-54	60	18	4	4	M16	18	0.75	x
A	10	65	185	145	69-70	75	18	4	4	M16	18	0.90	x
A	10	80	200	160	80-86	90	20	5	8	M16	18	1.10	x
A	10	100	220	180	102-106	111	20	5	8	M16	18	1.23	x
A	10	125	250	210	129-131	136	22	5	8	M16	18	1.53	x





LAP-JOINT FLANGES

Aluminium DIN 2642



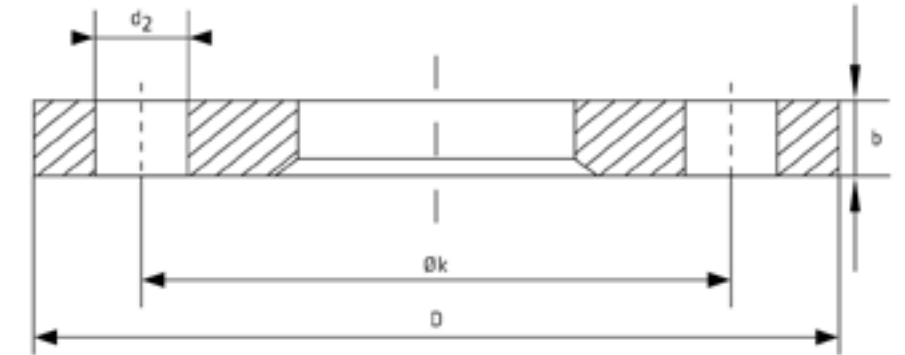
TYPE	Nominal pressure/ diameter		ØD mm	ØK mm	A mm	B2 mm	C1	E	AFM Size	ØL	INCH	Grade AISI kg/pce.	epox
	PN	DN											
A	10	150	285	240	154-156	161	22	5	8	M20	22	2.30	x
A	10	200	340	295	204-208	212	24	5	8	M20	22	2.70	x
A	10	250	395	350	254-258	264	26	5	12	M20	22	3.65	x
A	10	300	445	400	304-308	315	26	5	12	M20	22	4.27	x
C	10	10	90	60	17.2	19	16	4	4	M12	14	0.18	x
C	10	15	95	65	21.3	24	16	4	4	M12	14	0.19	x
C	10	20	105	75	26.9	30	16	4	4	M12	14	0.30	x
C	10	25	115	85	33.7	36	16	4	4	M12	14	0.27	x
C	10	32	140	100	42.4	46	16	4	4	M16	18	0.53	x
C	10	40	150	110	48.3	54	18	4	4	M16	18	0.60	x





LAP-JOINT FLANGES

Aluminium DIN 2642



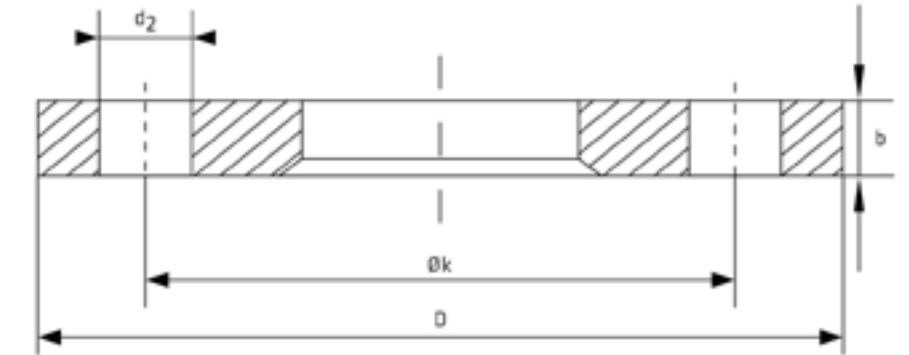
TYPE	Nominal pressure/ diameter		ØD mm	ØK mm	A mm	B2 mm	C1	E	AFM Size	ØL	INCH	Grade AISI kg/pce.	epox
	PN	DN											
C	10	50	165	125	57-60.3	65	18	4	4	M16	18	0.71	x
C	10	65	185	145	76.1	81	18	4	4	M16	18	0.83	x
C	10	80	200	160	88.9	94	20	5	8	M16	18	1.20	x
C	10	100	220	180	108-114.3	119	20	5	8	M16	18	1.27	x
C	10	125	250	210	133-139.7	145	22	5	8	M16	18	1.43	x
C	10	150	285	240	159-168.3	173	22	5	8	M20	22	1.66	x
C	10	200	340	295	219.1	225	24	5	8	M20	22	2.96	x
C	10	250	395	350	273	279	26	5	12	M20	22	3.22	x
C	10	300	445	400	323.9	329	26	5	12	M20	22	3.75	x
C	10	350	505	460	355.6	362	26	5	16	M20	22	5.13	x





LAP-JOINT FLANGES

Aluminium DIN 2642



TYPE	Nominal pressure/ diameter		ØD mm	ØK mm	A mm	B2 mm	C1	E	AFM Size	ØL	INCH	Grade AISI kg/pce.	epox
	PN	DN											
C	10	400	565	515	406.4	413	32	6	16	M24	26	7.17	x
C	10	450	615	565	457.2	465	32	6	20	M24	26	9.50	x
C	10	500	670	620	508	517	34	6	20	M24	26	9.52	x
C	10	600	780	725	609.6	618	36	6	20	M27	30	13.00	x

