



ISO 9001 : 2015
BUREAU VERITAS
Certification



REF. 740

3 PIECES BALL VALVE WITH ISO MOUNTING PAD PN 63 INITIAL RANGE BSP

3 pieces stainless steel ball valve with full bore for Chemical industries, petrochemical industries, hydraulic installation, heating, water distribution, compressed air.

PTFE packing, FKM O ring gasket on stem and PTFE filled with 15% glass seat.

Compatible with explosive atmosphere, ATEX Zone 1&21 and Zone 2&22 thanks to the antistatic device.

Thanks to the ISO 5211 plate, an actuator can be installed on the valve.



Certificate
3.1



Size: DN1/4" to DN2"

Connection : Female BSP

Min Temperature : -20°C

Max Temperature : +180°C

Max Pressure : 63 Bars up to DN3/4"

Specifications : ISO 5211 mounting pad

PTFE filled with 15% glass seat

Anti blow-out stem, full bore

ATEX

Materials : Stainless steel ASTM A351 CF8M



REF. 740

3 PIECES BALL VALVE WITH ISO MOUNTING PAD PN 63 INITIAL RANGE BSP

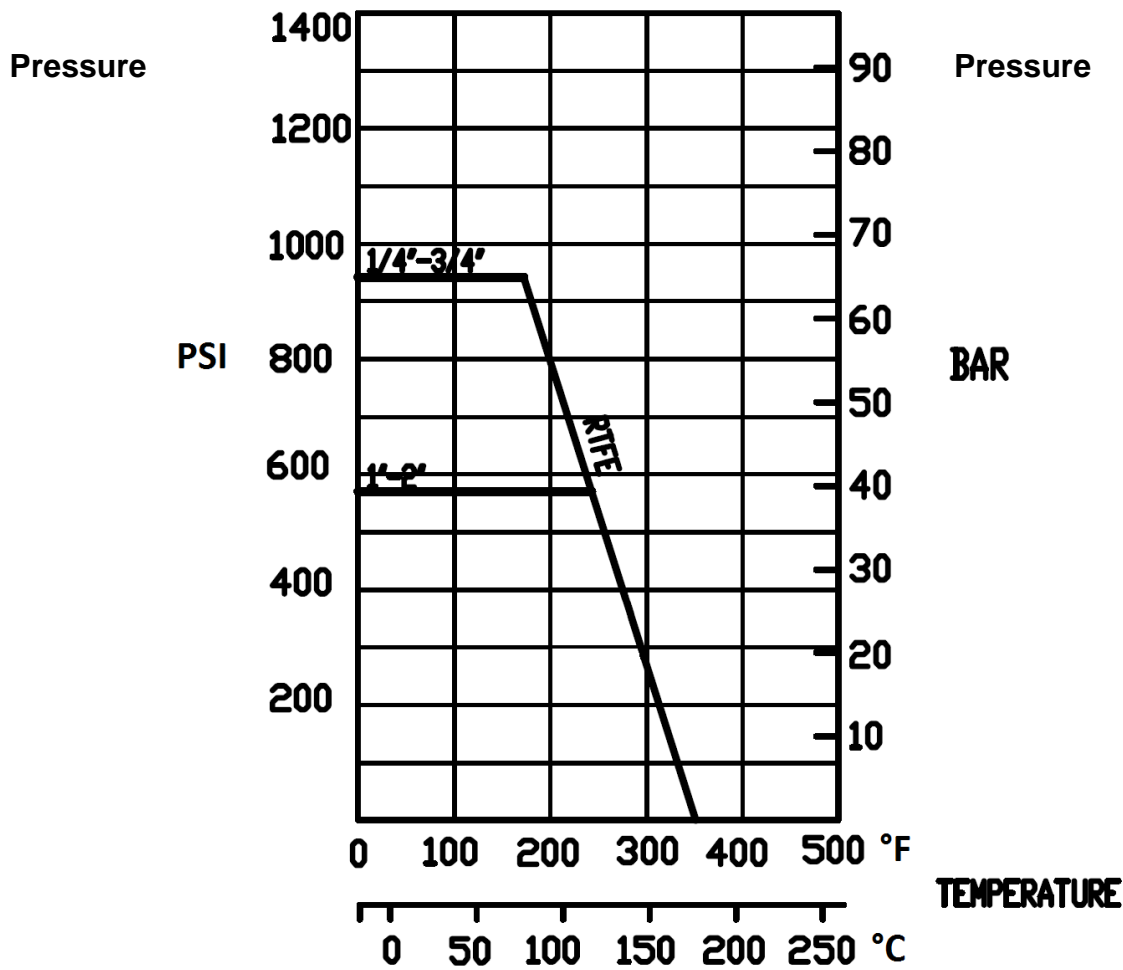
SPECIFICATIONS :

- Full bore
- Anti blow-out stem
- PTFE packing
- ISO 5211 direct mounting pad
- Double antistatic device (between stem-body and stem-ball)
- Atex
- Locking device

USE :

- Compatible with common fluids of 2nd group
- Min and max Temperature Ts : -20°C to + 180°C
- Max Pressure Ps : 63 bars up to DN3/4", 40 bars from DN1" to DN2 (see graph under)

PRESSURE / TEMPERATURE GRAPH (STEAM AND COMPRESSED AIR EXCLUDED) :





REF. 740

3 PIECES BALL VALVE WITH ISO MOUNTING PAD PN 63 INITIAL RANGE BSP

TORQUE VALUES (in Nm without safety coefficient) :

DN	1/4"	3/8"	1/2"	3/4"	1"	1"1/4	1"1/2	2"
Torque (Nm)	2	2	2.5	3.5	6	7	12	16

BOLT TIGHTENING TABLE (in Nm):

DN	1/4"	3/8"	1/2"	3/4"	1"	1"1/4	1"1/2	2"
Torque (Nm)	4	4	8	8	10	13	20	20

FLOW COEFFICIENT Kvs (m3 / h):

DN	1/4"	3/8"	1/2"	3/4"	1"	1"1/4	1"1/2	2"
Kvs (m3/h)	5.2	5.2	20.7	30.2	40.6	70	90.8	208.4

RANGE :

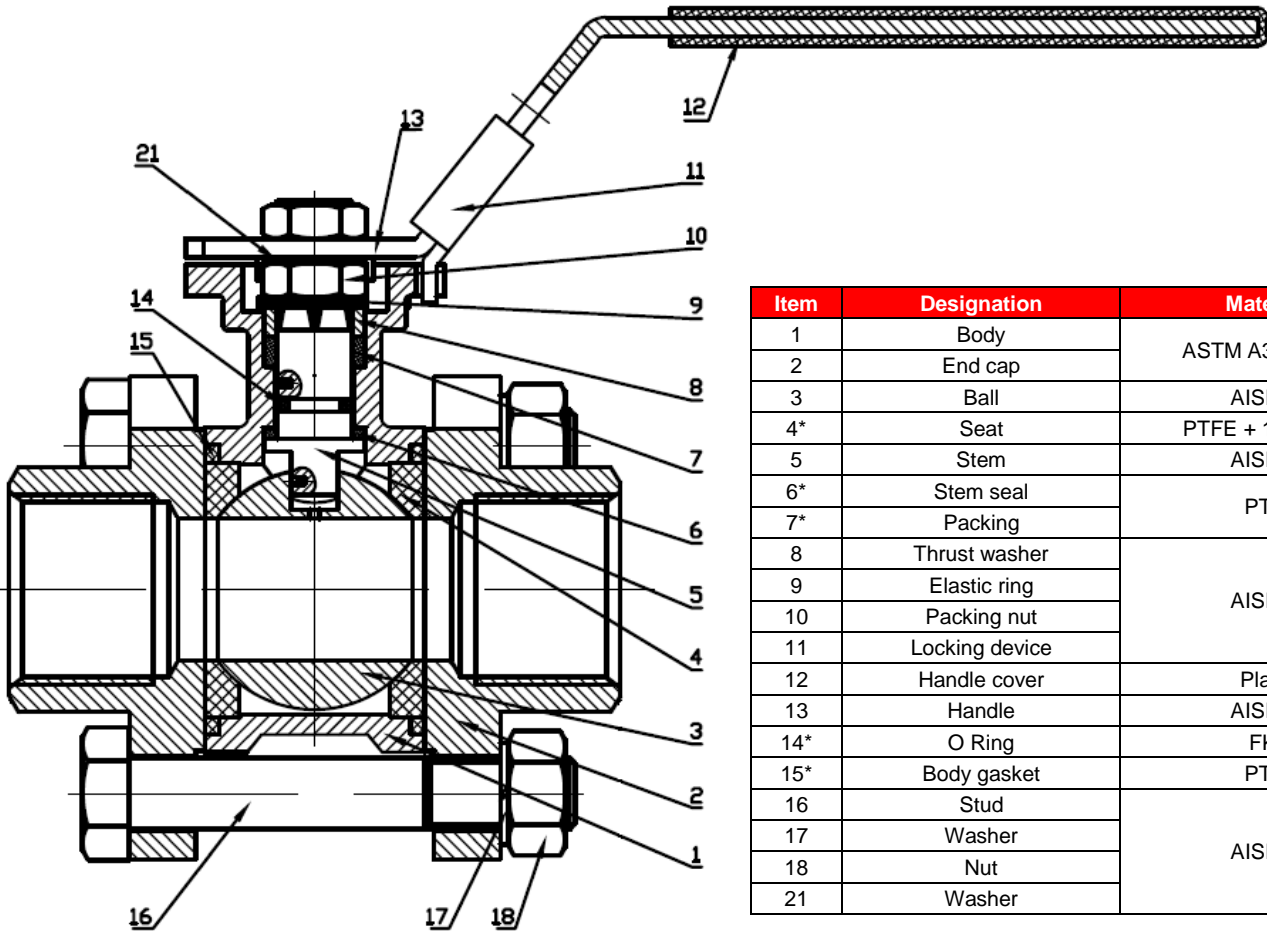
- 3 pieces ball valve with ISO mounting pad female / female threaded BSP ends **Ref. 740**



REF. 740

3 PIECES BALL VALVE WITH ISO MOUNTING PAD PN 63 INITIAL RANGE BSP

MATERIALS :



Item	Designation	Materials
1	Body	ASTM A351 CF8M
2	End cap	
3	Ball	AISI 316
4*	Seat	PTFE + 15% glass
5	Stem	AISI 316
6*	Stem seal	PTFE
7*	Packing	
8	Thrust washer	AISI 304
9	Elastic ring	
10	Packing nut	
11	Locking device	
12	Handle cover	Plastic
13	Handle	AISI 304
14*	O Ring	FKM
15*	Body gasket	PTFE
16	Stud	AISI 304
17	Washer	
18	Nut	
21	Washer	

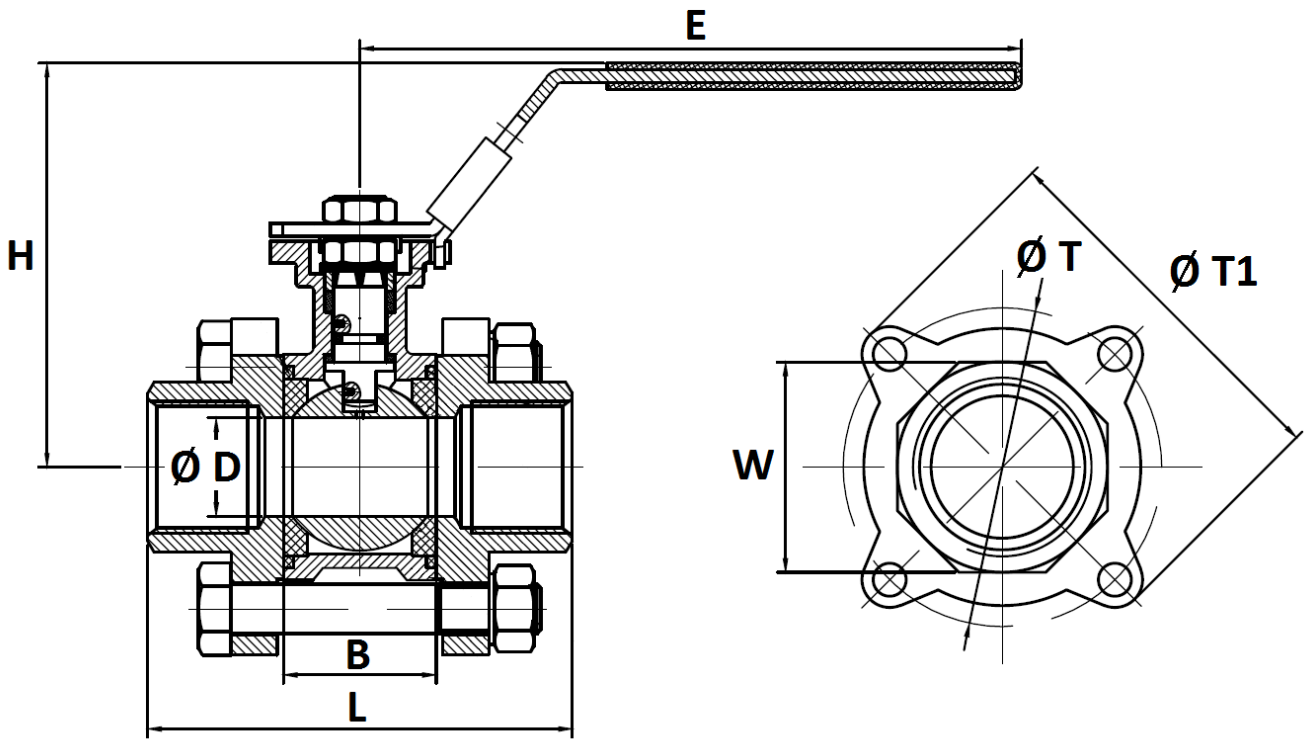
(* : included in gaskets kit)



REF. 740

3 PIECES BALL VALVE WITH ISO MOUNTING PAD PN 63 INITIAL RANGE BSP

SIZE (en mm):



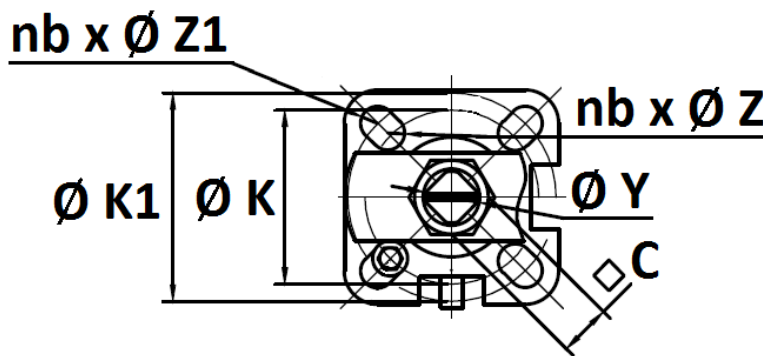
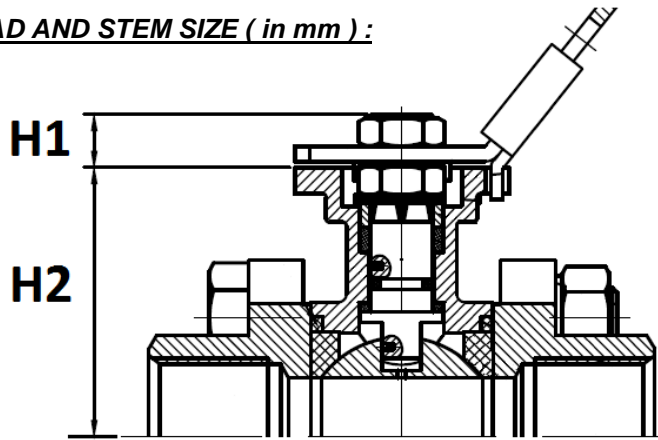
DN	1/4"	3/8"	1/2"	3/4"	1"	1 1/4"	1 1/2"	2"
Ø D	11.5	12.5	15	20	25	32	38	50
L	64	64	66	70.6	82	97	109	124.6
B	26	26	26	28.6	34	44	51	62.8
E	141	141	141	141	162	162	188	188
H	75	75	75	81	93	98	109	124
Ø T	47.5	47.5	47.5	51.5	58	70	81.5	101
T1	62	62	62	66	74.5	86.5	100.5	121.5
W	18	21	26	32	39	48	55	67
Weight (in Kg)	0.54	0.54	0.62	0.73	1.09	1.48	2.39	3.59
Ref.	740002	740003	740004	740005	740006	740007	740008	740009



REF. 740

3 PIECES BALL VALVE WITH ISO MOUNTING PAD PN 63 INITIAL RANGE BSP

ISO MOUNTING PAD AND STEM SIZE (in mm) :



DN	1/4"	3/8"	1/2"	3/4"	1"	1"1/4"	1"1/2"	2"
C	9	9	9	9	11	11	14	14
Ø Y	M12x1.5	M12x1.5	M12x1.5	M12x1.5	M14x1.5	M14x1.5	M18x1.5	M18x1.5
H1	9	9	9	9	11	11	15	15
H2	42	42	42	48	55	60	70	85
Ø K	36	36	36	36	42	42	50	50
ISO	F03	F03	F03	F03	F04	F04	F05	F05
nb x Ø Z	4 x 6	4 x 6	4 x 6	4 x 6	4 x 6	4 x 6	4 x 7	4 x 7
Ø K1	42	42	42	42	50	50	70	70
ISO 1	F04	F04	F04	F04	F05	F05	F07	F07
N x Ø Z1	4 x 6	4 x 6	4 x 6	4 x 6	4 x 7	4 x 7	4 x 9	4 x 9



REF. 740

3 PIECES BALL VALVE WITH ISO MOUNTING PAD PN 63 INITIAL RANGE BSP

STANDARDS :

- Manufacturer certified ISO 9001 : 2015
- DIRECTIVE 2014/68/UE : CE N° 0038
Risk category III Module H
- Construction according to EN 12516-2
- Certificate 3.1 on request
- Pressure tests according to API 598
- Threaded BSP cylindrical ends according to ISO 228-1
- ISO 5211 mounting pad
- ATEX Group II Category 2G IIA TX (optional marking) according to Directive 2014/34/UE

ADVICE : Our opinion and our advice are not guaranteed and SFERACO shall not be liable for the consequences of damages.
The customer must check the right choice of the products with the real service conditions.