



REF. 380

3 PIECES STAINLESS STEEL CHECK VALVE (380-384)



Size : DN 8 to DN100
Ends : Female-Female BSP or NPT,SW or BW
Min Temperature : - 20°C
Max Temperature : + 200°C
Max Pressure : 25 Bars
Specifications : 3 pieces spring type
All positions
Metal / metal tightness

Materials : Stainless steel



REF. 380

3 PIECES STAINLESS STEEL CHECK VALVE (380-384)

SPECIFICATIONS :

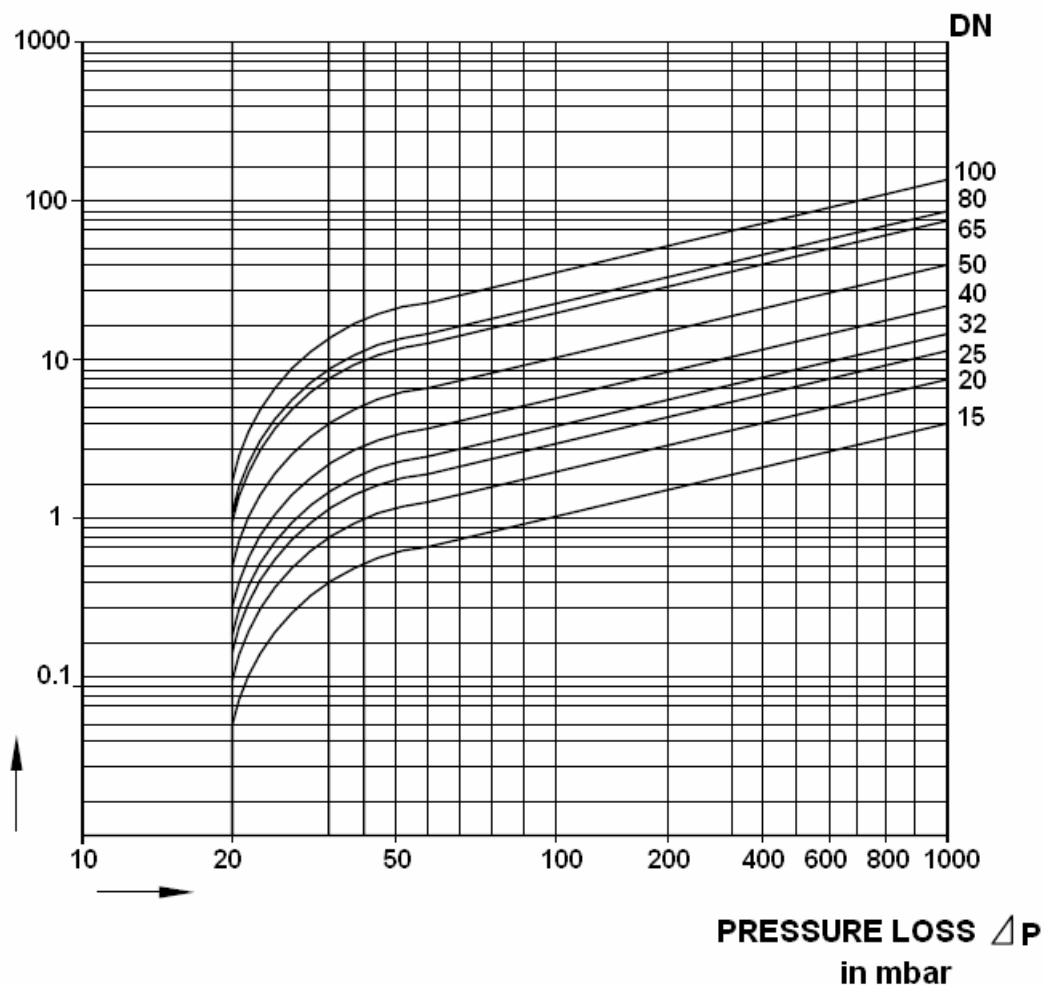
- 3 pieces spring type
- All positions (respect the flow direction indicated by the arrow)
- Metal / metal tightness
- Stainless steel

USE :

- For common fluids
- Min Temperature Ts : - 20°C
- Max Temperature Ts :+ 200°C
- Max Pressure Ps : 25 bars

HEAD LOSS :

FLOW (m³/h)



**REF. 380****3 PIECES STAINLESS STEEL CHECK VALVE (380-384)****OPENING PRESSURE (In mbar) :**

DN	Vertical Position Ascending fluid	Vertical Position Descending fluid	Horizontal Position
DN 08	25 ↑	21 ↓	23 →
DN 10	25 ↑	21 ↓	23 →
DN 15	25 ↑	21 ↓	23 →
DN 20	25 ↑	21 ↓	23 →
DN 25	25 ↑	21 ↓	23 →
DN 32	27 ↑	21 ↓	24 →
DN 40	29 ↑	21 ↓	25 →
DN 50	29 ↑	21 ↓	25 →
DN 65	31 ↑	21 ↓	25 →
DN 80	32 ↑	21 ↓	26 →
DN100	33 ↑	21 ↓	27 →

RANGE :

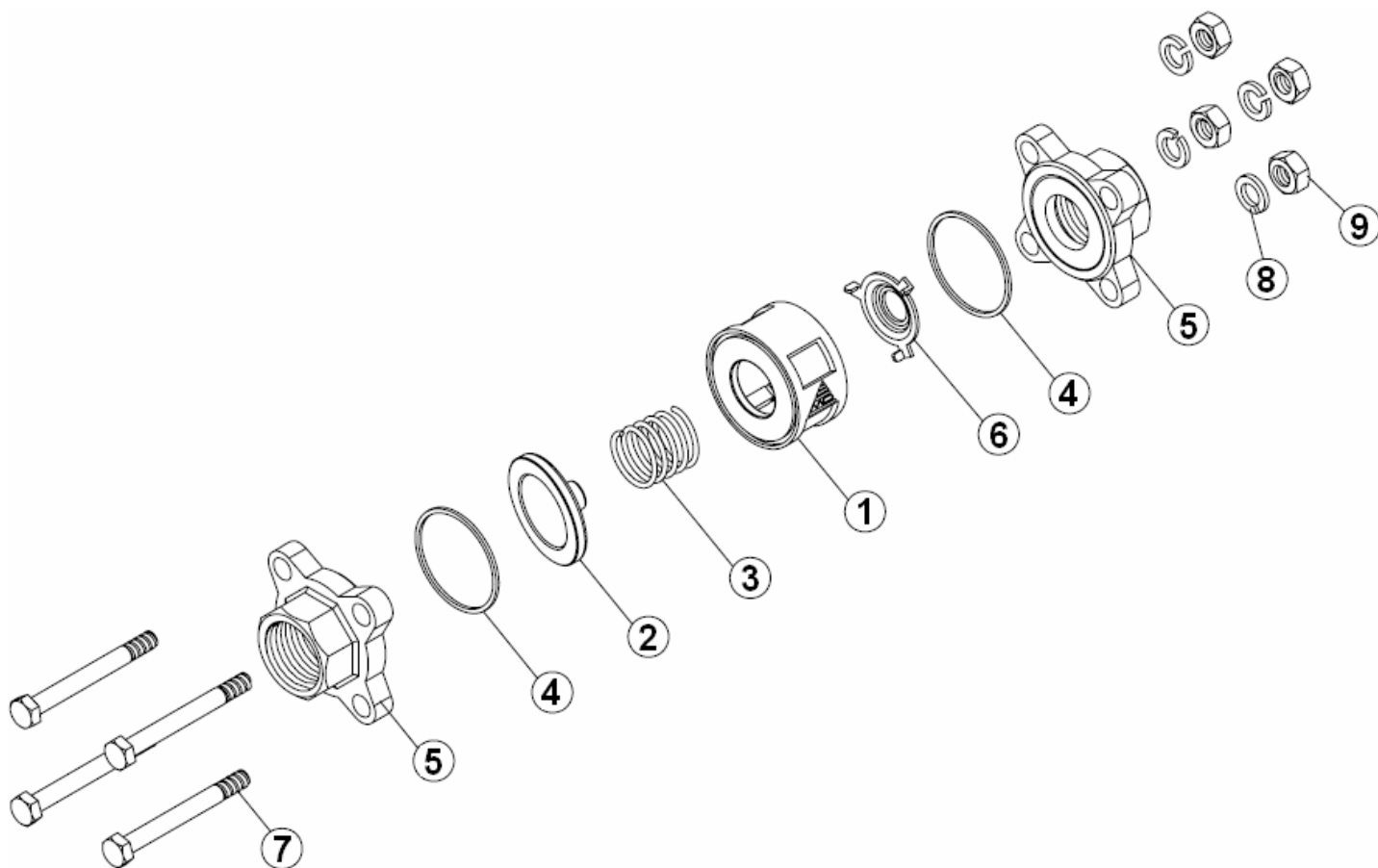
- Female / female threaded BSP cylindric **Ref. 380** DN 1/4" to DN 4"
- But Welding ends **Ref. 381** DN 8 to DN 100
- Socket Welding **Ref. 382** DN 8 to DN100
- Female threaded BSP cylindric with strainer SS 316 **Ref. 383** DN 3/8" to DN 4"
- Female / female threaded NPT cylindric **Ref. 384** DN 1/4" to DN 2"



REF. 380

3 PIECES STAINLESS STEEL CHECK VALVE (380-384)

MATERIALS :



Item	Designation	Materials
1	Body	ASTM A351 CF8M
2	Disc	ASTM A351 CF8M
3	Spring	SS 316
4	Gasket	PTFE
5	Ends	ASTM A351 CF8M
6	Holder	SS 316
7	Body bolt	SS 304
8	Bolt washer	SS 304
9	Bolt nut	SS 304

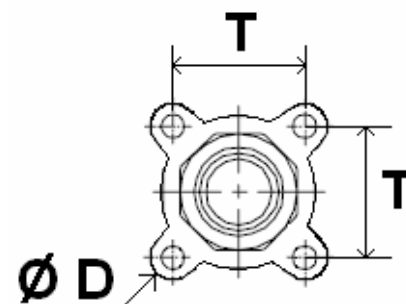
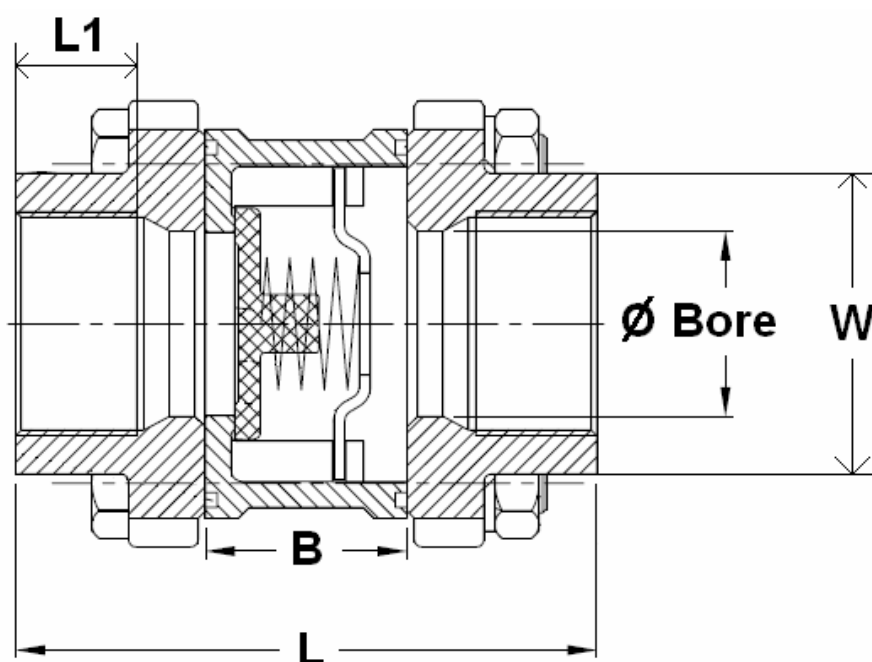


REF. 380

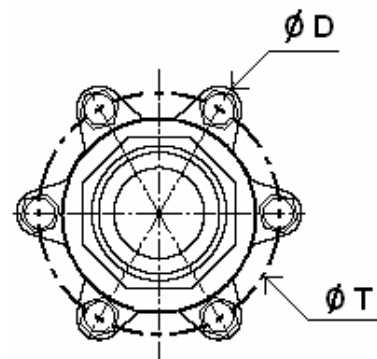
3 PIECES STAINLESS STEEL CHECK VALVE (380-384)

SIZE THREADED TYPES (in mm) :

DN 8–65 :



DN 80-100 :



	DN	8	10	15	20	25	32	40	50	65	80	100
Ref. 380/384	Ø Bore	11	12	15	20	25	32	40	50	65	80	100
	L	53	53	64	69	79	92	101	115	145	154	180
	L1	13.5	14	17	17	20	23	25	27	32	35	39
	B	14	14	18	22	27.5	32	37	47	47	55	70
	Ø D	54	54	63	70	79	94	107	131	170	194	223
	T	29	29	34	38	43	54	61	75	96	160	190
	W on flat	19	24	29	34	41	50	58	73	90	105	134
	Weight (Kg)	0.26	0.29	0.43	0.57	0.8	1.24	1.73	3.04	5.73	8.93	13.63

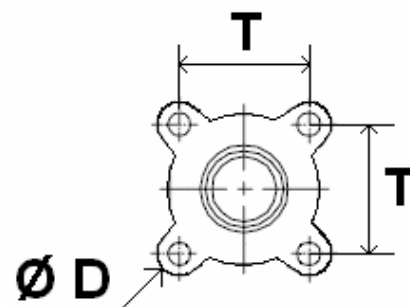
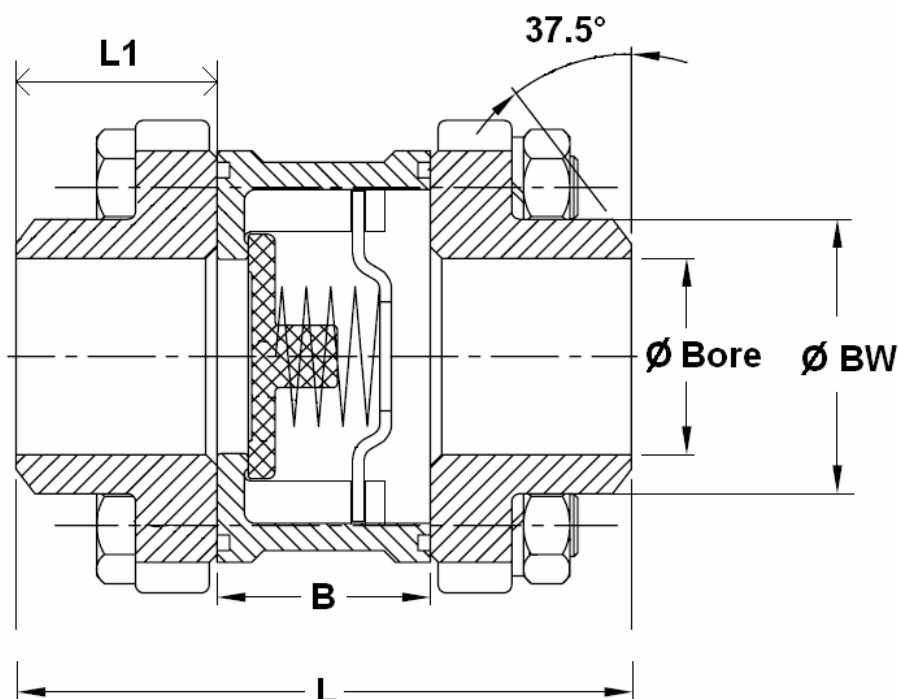


REF. 380

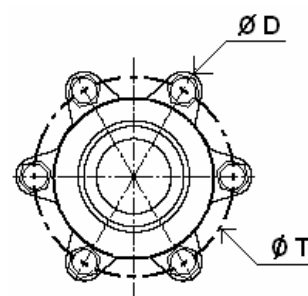
3 PIECES STAINLESS STEEL CHECK VALVE (380-384)

SIZE B.W. TYPES (in mm) :

DN 8–65 :



DN 80-100 :



	DN	8	10	15	20	25	32	40	50	65	80	100
Ref. 381	Ø Bore	12	12	15	20	25	32	40	50	65	80	100
	L	63	63	67	79	89	92	106	125	150	169	210
	L1	24.5	24.5	24.5	28.5	30.75	30	34.5	39	51.5	57	70
	B	14	14	18	22	27.5	32	37	47	47	55	70
	Ø D	54	54	63	70	79	94	107	131	170	194	223
	Ø BW	18	19.5	23.2	27.9	34	40.9	49	61.9	78	94.4	124.2
	T	29	29	34	38	43	54	61	75	96	160	190
	Weight (Kg)	0.28	0.28	0.42	0.55	0.82	1.23	1.68	2.94	5.4	8.55	14.5

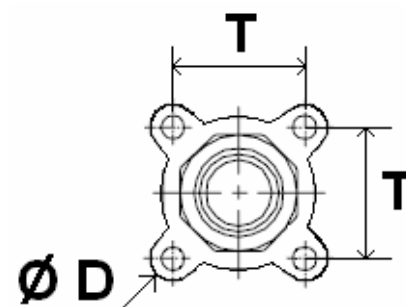
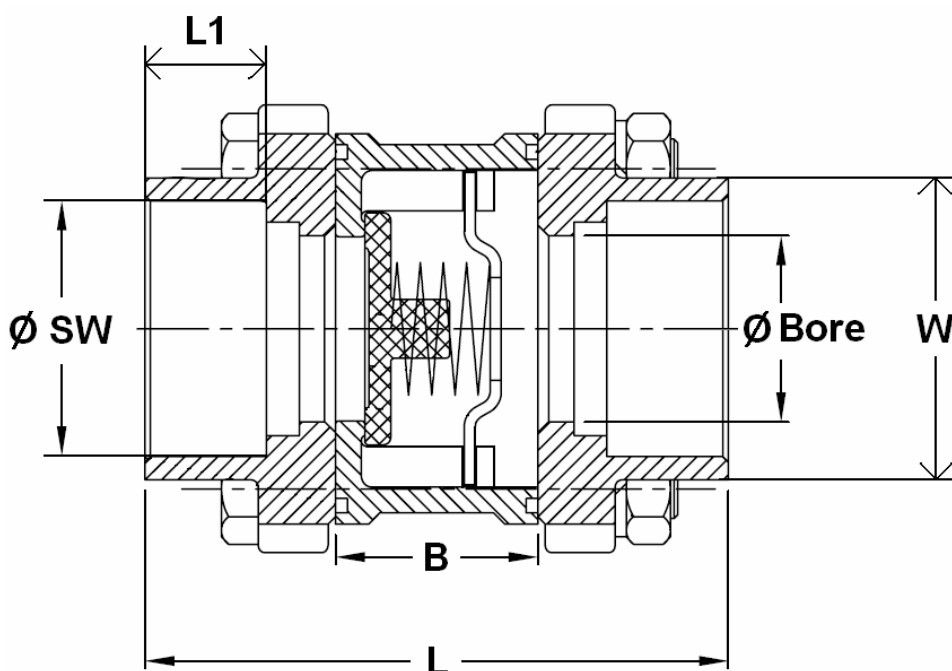


REF. 380

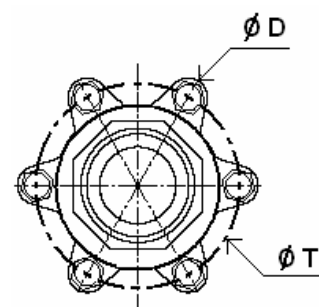
3 PIECES STAINLESS STEEL CHECK VALVE (380-384)

SIZE S.W. TYPES (in mm) :

DN 8-65 :



DN 80-100 :



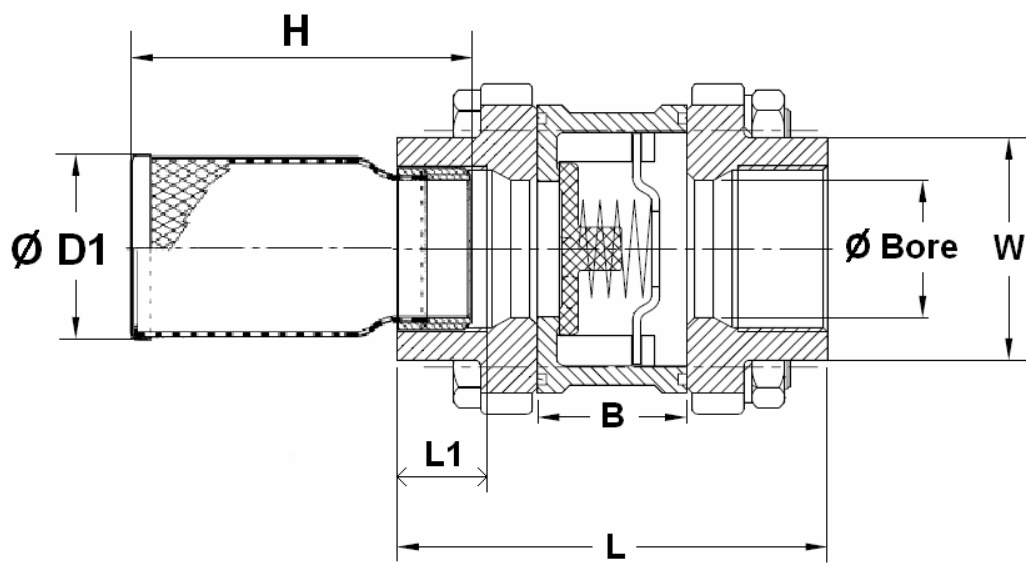
	DN	8	10	15	20	25	32	40	50	65	80	100
Ref. 382	Ø Bore	12	12	15	20	25	32	40	50	65	80	100
	L	53	53	64	69	79	92	101	115	145	154	180
	L1	15.5	16.5	12.5	14.1	15.7	17.7	19.5	22	26.3	28.7	37.5
	B	14	14	18	22	27.5	32	37	47	47	55	70
	Ø D	54	54	63	70	79	94	107	131	170	194	223
	Ø SW	14.2	17.5	21.8	27.4	34.1	42.7	49	61	77	90.2	115.3
	T	29	29	34	38	43	54	61	75	96	160	190
	W on flat	19	24	29	34	41	50	58	73	90	105	134
	Weight (Kg)	0.36	0.33	0.44	0.55	0.77	1.2	1.65	2.89	5.55	8.6	13.16



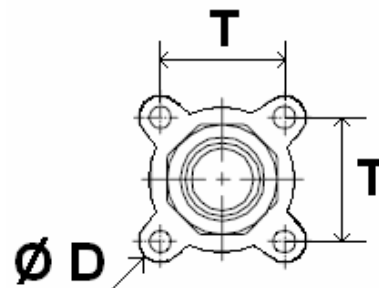
REF. 380

3 PIECES STAINLESS STEEL CHECK VALVE (380-384)

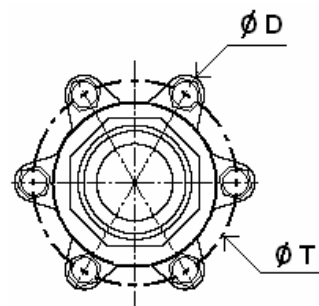
SIZE THREADED TYPES WITH STRAINER (in mm) :



DN 8-65 :



DN 80-100 :



	DN	10	15	20	25	32	40	50	65	80	100	
Ref. 383	Ø Bore	12	15	20	25	32	40	50	65	80	100	
	L	53	64	69	79	92	101	115	145	154	180	
	L1	14	17	17	20	23	25	27	32	35	39	
	B	14	18	22	27.5	32	37	47	47	55	70	
	Ø D	54	63	70	79	94	107	131	170	194	223	
	Ø D1	21	23	29	37	44	49	61	80	86	116	
	H	51	55	62	69	80	89	101	114	126	144	
	T	29	34	38	43	54	61	75	96	160	190	
	W on flat	24	29	34	41	50	58	73	90	105	134	
	Mesh	1.2	1.2	1.2	1.2	1.2	1.2	1.2	1.2	1.5	1.5	2
	Weight (Kg)	0.3	0.49	0.59	0.84	1.3	1.8	3.13	5.86	9.1	13.88	



REF. 380

3 PIECES STAINLESS STEEL CHECK VALVE (380-384)

BOLT TIGHTENING TABLE (in Nm):

DN	1/4"	3/8"	1/2"	3/4"	1"	1"1/4"	1"1/2"	2"	2"1/2"	3"	4"
Torque (Nm)	6.9	6.9	6.9	9.8	9.8	11.8	15.7	20.6	54.9	73.5	94.1

STANDARDS :

- . Fabrication according to ISO 9001
- . DIRECTIVE 97/23/CE : CE N° 0035
Risk Category II
- . Construction according to EN 12516-1
- . Designing according to ASME B16.34
- . Tests according to EN 12266
- . Threaded BSP cylindric ends according to ISO 228-1 and DIN 2999
- . Threaded NPT cylindric ends according to ANSI B1.20.1
- . ATEX Group II Category 2 G/2D Zone 1 & 21 Zone 2 & 22 (optional marking)

ADVICE : Our opinion and our advice are not guaranteed and SFERACO shall not be liable for the consequences of damages.
The customer must check the right choice of the products with the real service conditions.