



BALL VALVE FIG. 93

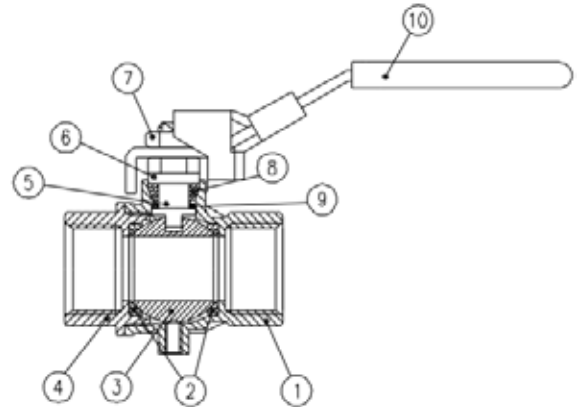
GENERAL FEATURES:

Two piece ball valve with floating ball and bleed nipple
 Body in brass CW617N
 Ball in brass CW617N
 Seats in PTFE
 Max. working pressure: 16 bar
 Connection: BSP threaded
 With lever in anodized steel with blue sleeve



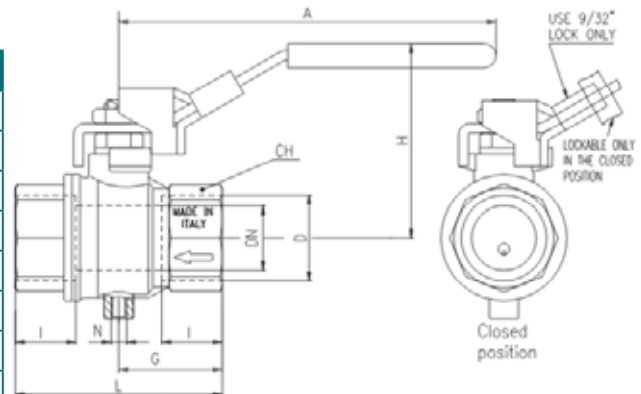
MATERIALS:

N°	Description	Materials
1	Body	Brass MS 58, nickel plated (CW617N)
2	Seats	PTFE
3	Ball	Brass MS 58, chrome plated (CW617N)
4	End cap	Brass MS 58, nickel plated (CW617N)
5	Stem	Brass MS 58, nickel plated (CW617N)
6	Gland nut	Brass MS 58, nickel plated (CW617N)
7	Nut Geomet®	CB4FF
8	Seal	PTFE
9	Washer	PTFE with 25% carbon
10	Handle	Steel (Geomet®) with blue sleeve and locking

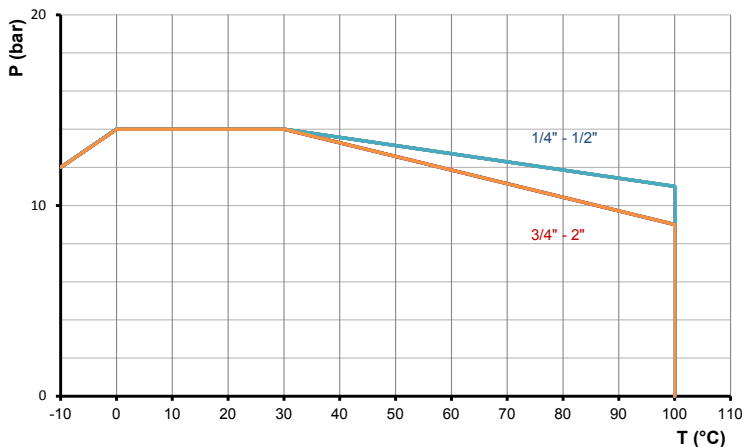


DIMENSIONS: (mm)

D	DN	A	CH	G	H	I	L	Kg
1/4"	8	96	20	22,5	48,5	12	45	0,13
3/8"	10	96	20	22,5	48,5	12	45	0,13
1/2"	15	96	25	29,5	51	15,5	59	0,23
3/4"	20	117	31	32	60	17	64	0,36
1"	25	117	40	40,5	64	21	81	0,53
1 1/4"	32	156,5	49	46,5	80	23	93	0,87
1 1/2"	40	156,5	54	51	86	23	102	1,12
2"	50	156,5	68,5	60,5	93	26,5	121	1,81



PRESSURE-TEMPERATURE CHART:



Kv-VALUES:

Ø	Kv
1/4"	5
3/8"	10
1/2"	43
3/4"	60
1"	80
1 1/4"	125
1 1/2"	270
2"	390

Subject to changes