



REF. 360-362

SWING CHECK VALVE ISO PN16



- Size :** DN 40 to 200
Ends : ISO PN10/16 flanges
Min Temperature : - 10°C
Max Temperature : + 80°C with EPDM seat, 120°C with Metal seat
Max Pressure : 16 Bars
Specifications : Swing check type
Vertical or horizontal position
Bolted bonnet
- Materials :** Cast iron body



REF. 360-362

SWING CHECK VALVE ISO PN16

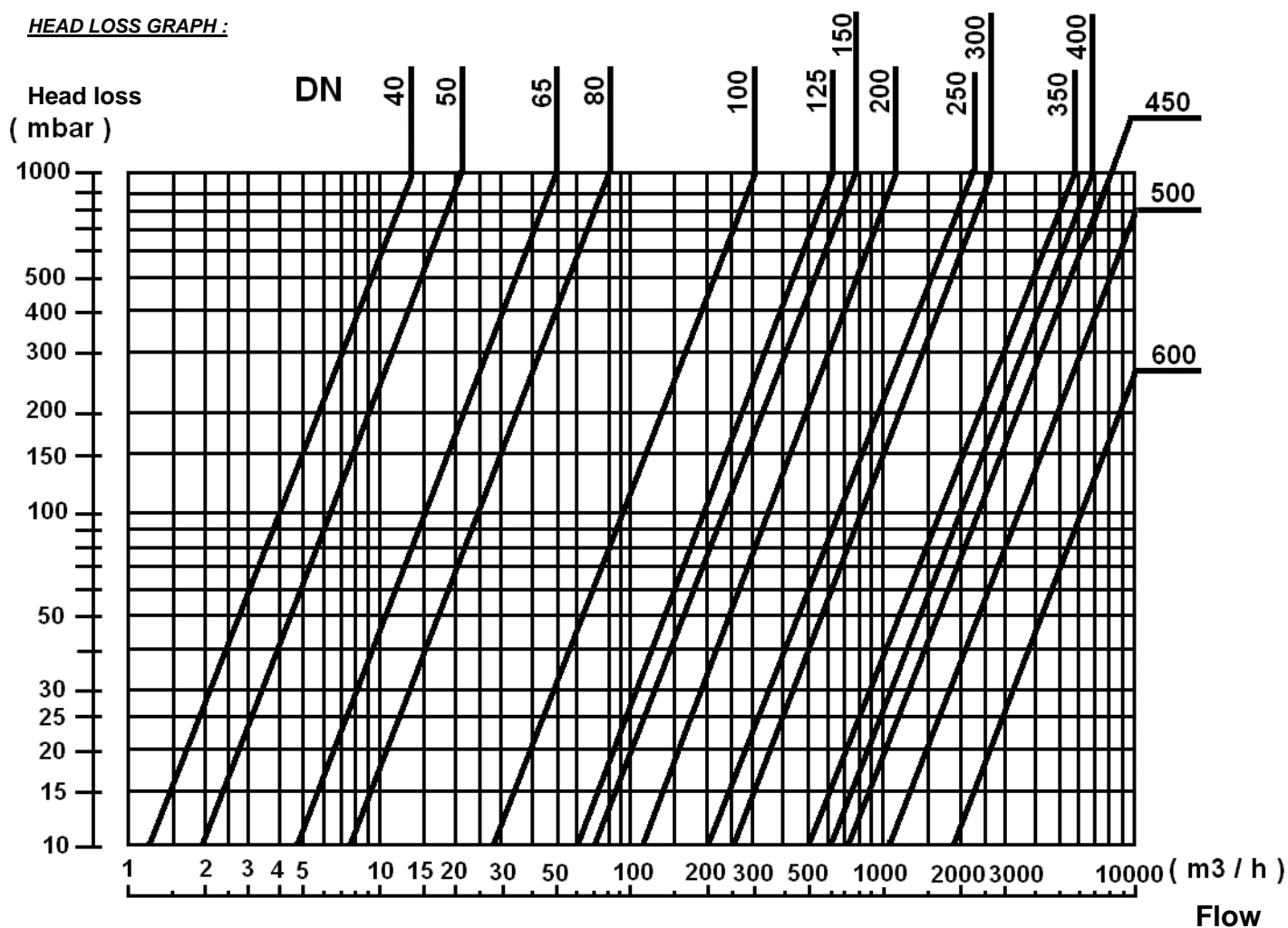
SPECIFICATIONS :

- Swing check type
- Vertical position with ascendant fluid or horizontal position (respect the flow direction indicated by the arrow)
- ISO PN10/16 flanges
- Bolted bonnet

USE :

- For all common fluids
- Min and max Temperature Ts : - 10°C to + 120°C for metal seat type **Ref.360**
- Min and max Temperature Ts : - 10°C to + 80°C for EPDM seat type **Ref.362**
- Max pressure PN : 16 bars
- **Do not use with pulsatory speed**
- **Max Speed : 3 M. / Sec.**

HEAD LOSS GRAPH :



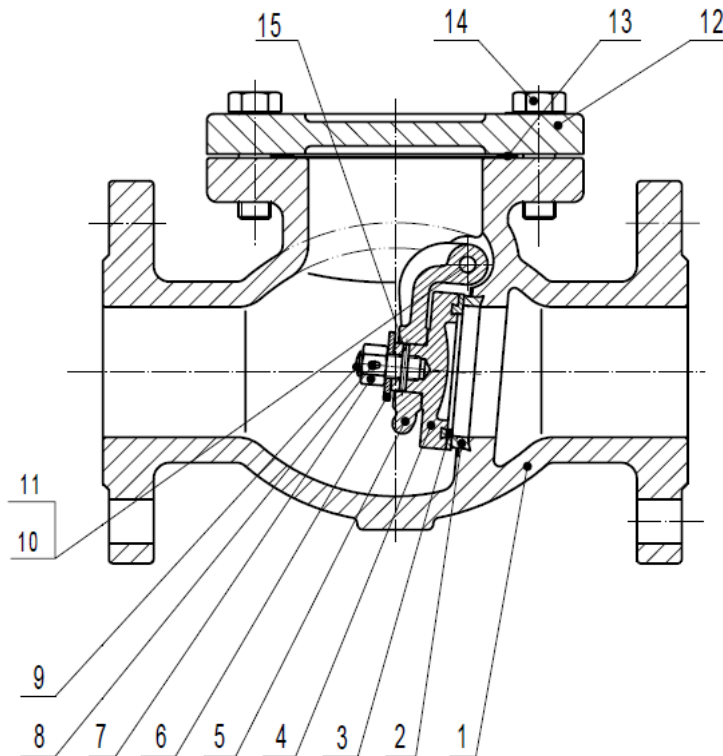


SWING CHECK VALVE ISO PN16

RANGE :

- Cast iron body with metal seat ISO PN16 flanges **Ref. 360** from DN40 to 200
- Cast iron body with EPDM seat ISO PN16 flanges **Ref. 362** from DN40 to 200

MATERIALS FOR METAL SEAT TYPE (REF.360) :

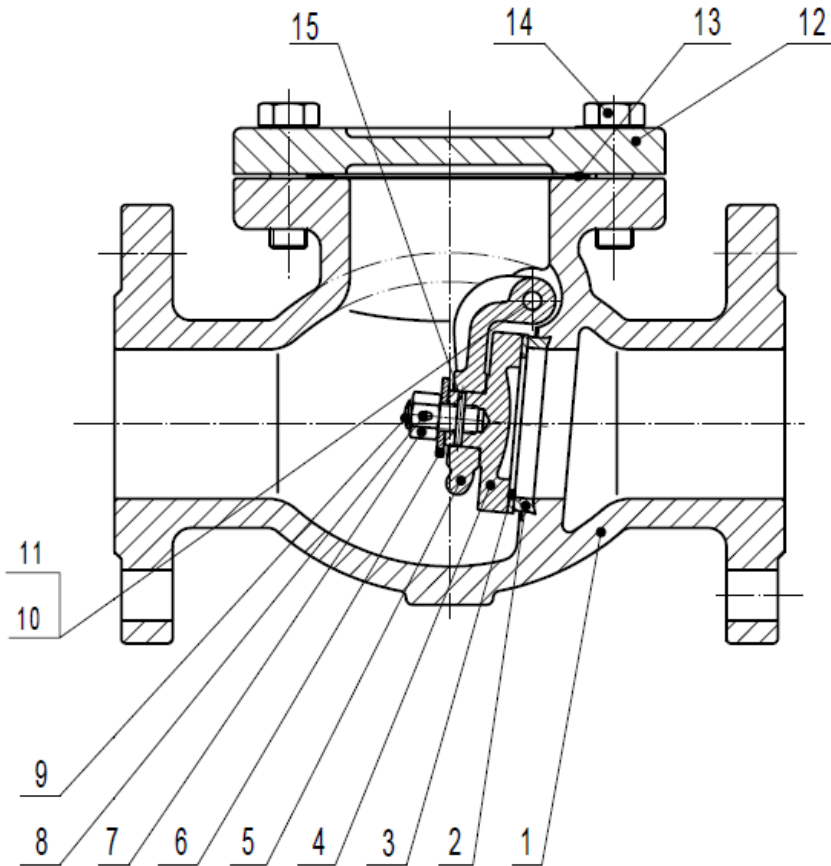


Item	Designation	Materials 360
1	Body	Cast iron EN GJL-250
2	Seat ring	Brass
3	Disc ring	Brass
4	Disc	Cast iron EN GJL-250
5	Hanger	Ductile iron EN GJS-400-15
6	Washer	Steel
7	Nut	Steel
8	Split Pin	SS 304
9	Disc screw	Steel
10	Hexagon plug	Brass
11	Hanger pin	SS 304
12	Bonnet	Cast iron EN GJL-250
13	Bonnet gasket	Graphite
14	Bonnet screw	Steel
15	Pin	SS 304



SWING CHECK VALVE ISO PN16

MATERIALS FOR EPDM SEAT TYPE (REF.362) :



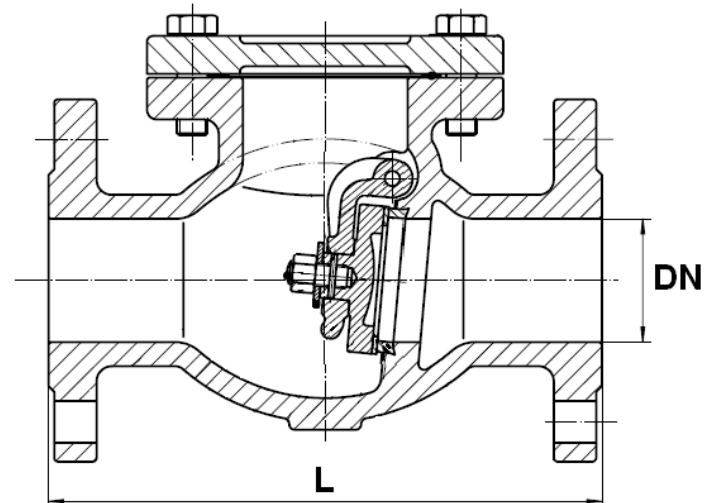
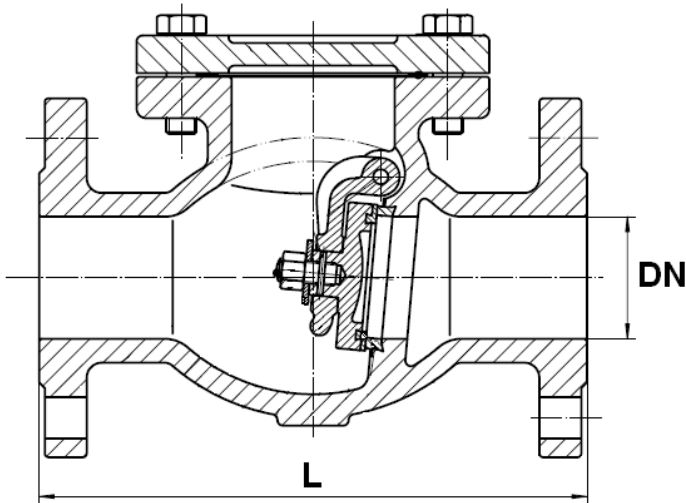
Item	Designation	Materials 362
1	Body	Cast iron EN GJL-250
2	Seat ring	Brass
3	Disc ring	EPDM
4	Disc	Cast iron EN GJL-250
5	Hanger	Ductile iron EN GJS-400-15
6	Washer	Steel
7	Nut	Steel
8	Split Pin	SS 304
9	Disc screw	Steel
10	Hexagon plug	Brass
11	Hanger pin	SS 304
12	Bonnet	Cast iron EN GJL-250
13	Bonnet gasket	Graphite
14	Bonnet screw	Steel
15	Pin	SS 304

SWING CHECK VALVE ISO PN16

CHECK VALVE SIZE (in mm) :

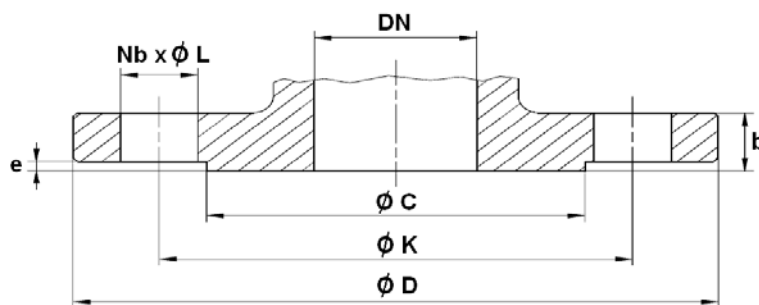
REF. 360

REF. 362



Ref.	DN	40	50	65	80	100	125	150	200
360 / 362	L	180	200	240	260	300	350	400	500
	Weight (Kg)	8.5	11.2	15.5	19	28.5	42.2	57	93

FLANGES SIZE (in mm) :



Ref.	DN	40	50	65	80	100	125	150	200
360 - 362	Ø C	84	99	118	132	156	184	211	266
	Ø D	150	165	185	200	220	250	285	340
	Ø K	110	125	145	160	180	210	240	295
	Nb x Ø L	4 x 19	4 x 19	4 x 19	8 x 19	8 x 19	8 x 19	8 x 23	12 x 23
	b	18	20	20	22	24	26	26	30
	e	3	3	3	3	3	3	3	3



REF. 360-362

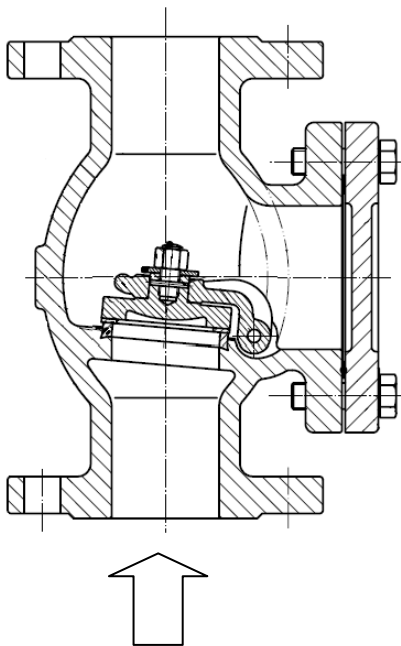
SWING CHECK VALVE ISO PN16

STANDARDS :

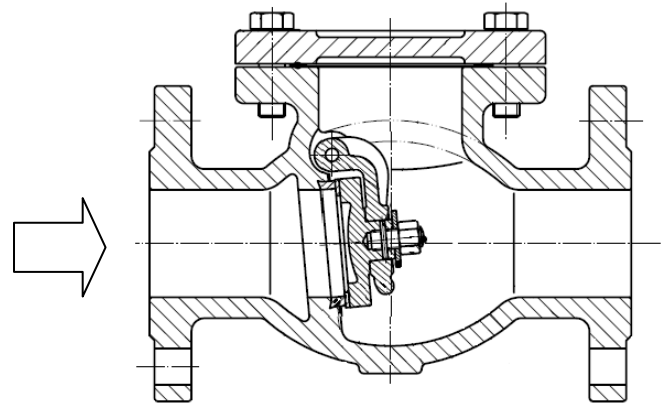
- Fabrication according to ISO 9001: 2000
- DIRECTIVE 97/23/CE : Products excluded (article 1, § 3-2)
- Length according to DIN 3202 F6
- ISO PN16 flanges according to EN 1092-1

INSTALLATION POSITIONS :

Vertical position (ascendant fluid)



Horizontal position



ADVICE : Our opinion and our advice are not guaranteed and SFERACO shall not be liable for the consequences of damages. The customer must check the right choice of the products with the real service conditions.



REF. 360-362

SWING CHECK VALVE ISO PN16

INSTALLATION INSTRUCTIONS

GENERAL GUIDELINES :

- Ensure that the check valves to be used are appropriate for the conditions of the installation (type of fluid, pressure and temperature).
- Be sure to have enough valves to be able to isolate the sections of piping as well as the appropriate equipment for maintenance and repair.
- Ensure that the valves to be installed are of correct strength to be able to support the capacity of their usage.

INSTALLATION INSTRUCTIONS :

- **Before installing the check valves, clean and remove any objects from the pipes** (in particular bits of sealing and metal) which could obstruct and block the valves.
- **Ensure that both connecting pipes either side of the check valve (upstream and downstream) are aligned (if they're not, the valves may not work correctly).**
- **Make sure that the two sections of the pipe (upstream and downstream) match, the check valve unit will not absorb any gaps. Any distortions in the pipes may affect the tightness of the connection, the working of the check valve and can even cause a rupture.** To be sure, place the kit in position to ensure the assembling will work.
- **If sections of piping do not have their final support in place, they should be temporarily fixed. This is to avoid unnecessary strain on the check valve.**
- If there is a direction changing or if there's another material, it's better to take away the check valve so that it is outside the turbulence area (**between 3 and 5 times the ND before and after**).
- After a pump please refer to norm NF CR 13932 to install the check valve.