



**REF. 460-462**

## BRONZE GLOBE VALVE PN16



**Size :** DN 1/4" to 2"  
**Ends :** Female - Female BSP  
**Min Temperature :** - 10°C  
**Max Temperature :** + 110°C  
**Max Pressure :** 16 Bars  
**Specifications :** Rising rotating stem and handwheel  
PTFE packing  
PTFE or brass disc

**Materials :** Bronze body



**REF. 460-462**

## **BRONZE GLOBE VALVE PN16**

### **SPECIFICATIONS :**

- Respect the flow direction ( indicated by the arrow )
- Rising rotating stem and handwheel
- PTFE packing
- Bronze body
- PTFE or brass disc
- Threaded female BSP cylindric

### **USE :**

- For common fluids of 2<sup>nd</sup> group
- Min and max Temperature Ts : - 10°C to + 110°C
- Max pressure Ps : 16 bars ( see graph )
- **Do not use for steam**

### **PRESSURE / TEMPERATURE GRAPH ( STEAM EXCLUDED ) :**

#### **PRESSURE**

**Bar**

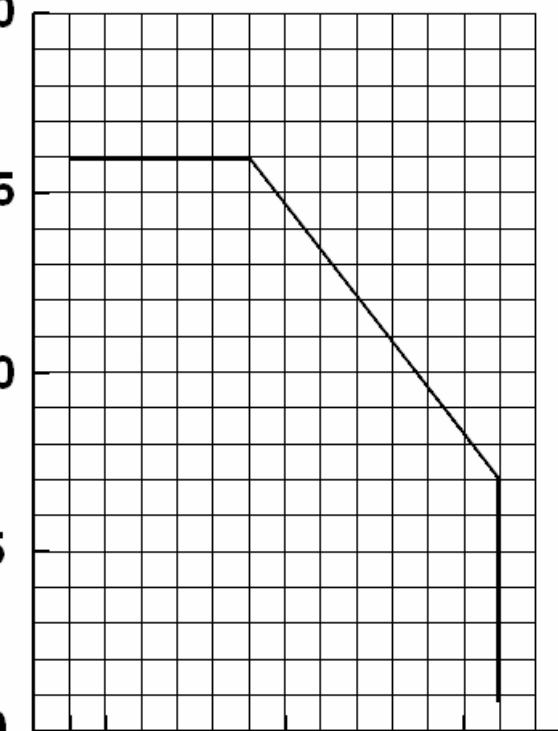
**20**

**15**

**10**

**5**

**0**



**-10 0**

**50**

**100 °C**

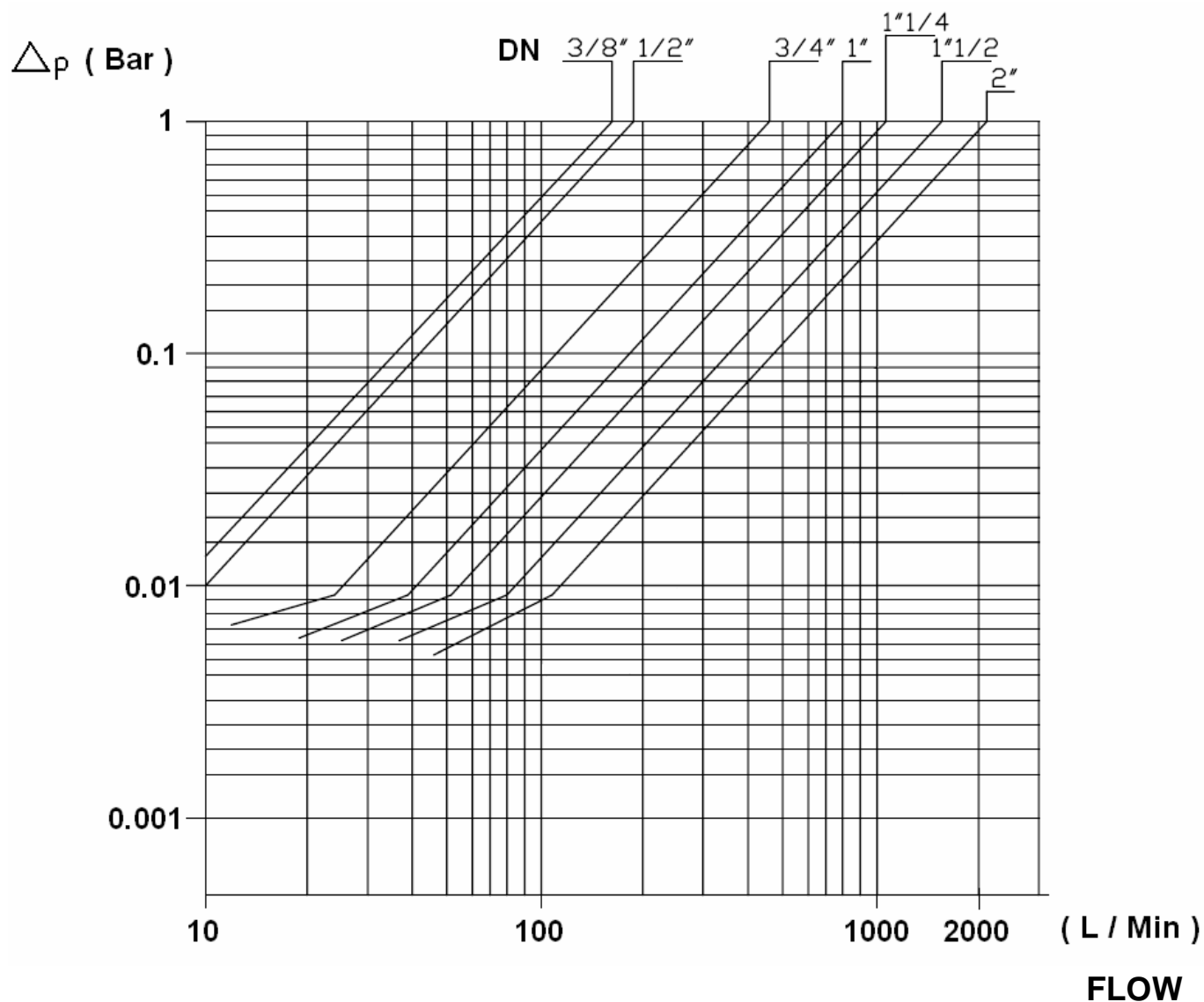
**TEMPERATURE**



**REF. 460-462**

## BRONZE GLOBE VALVE PN16

### HEAD LOSS GRAPH:



### RANGE:

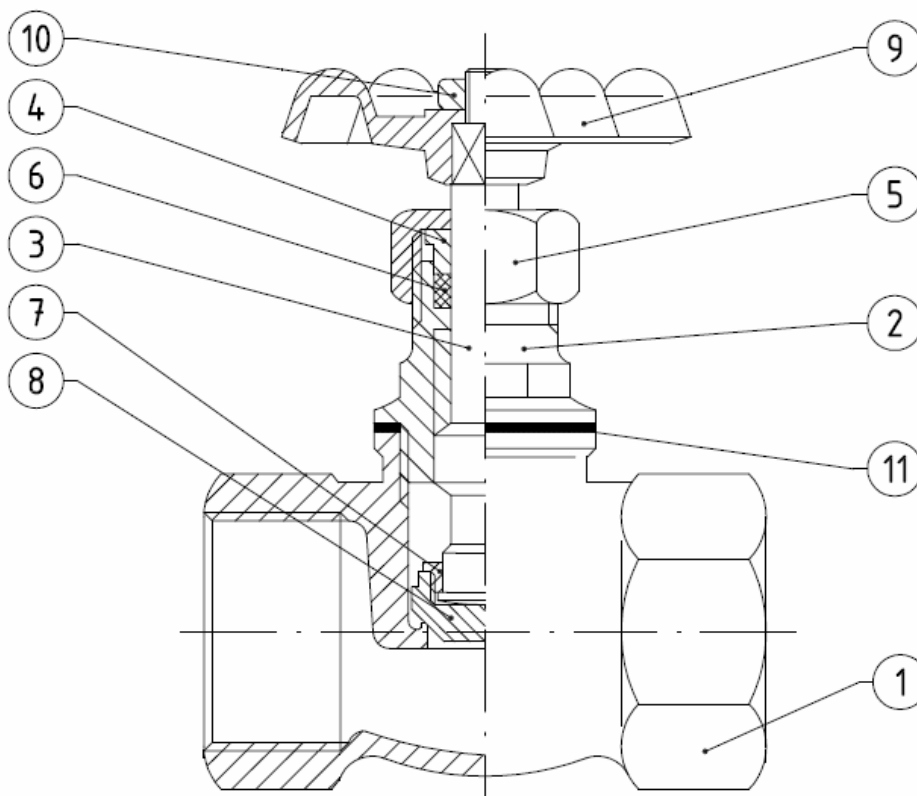
- Bronze body and brass disc, female threaded cylindric BSP from DN 1/4" to DN 2" **Ref. 460**
- Bronze body and PTFE disc, female threaded cylindric BSP from DN 1/4" to DN 2" **Ref. 462**



**REF. 460-462**

**BRONZE GLOBE VALVE PN16**

**MATERIALS FOR TYPE 460 BRASS DISC :**



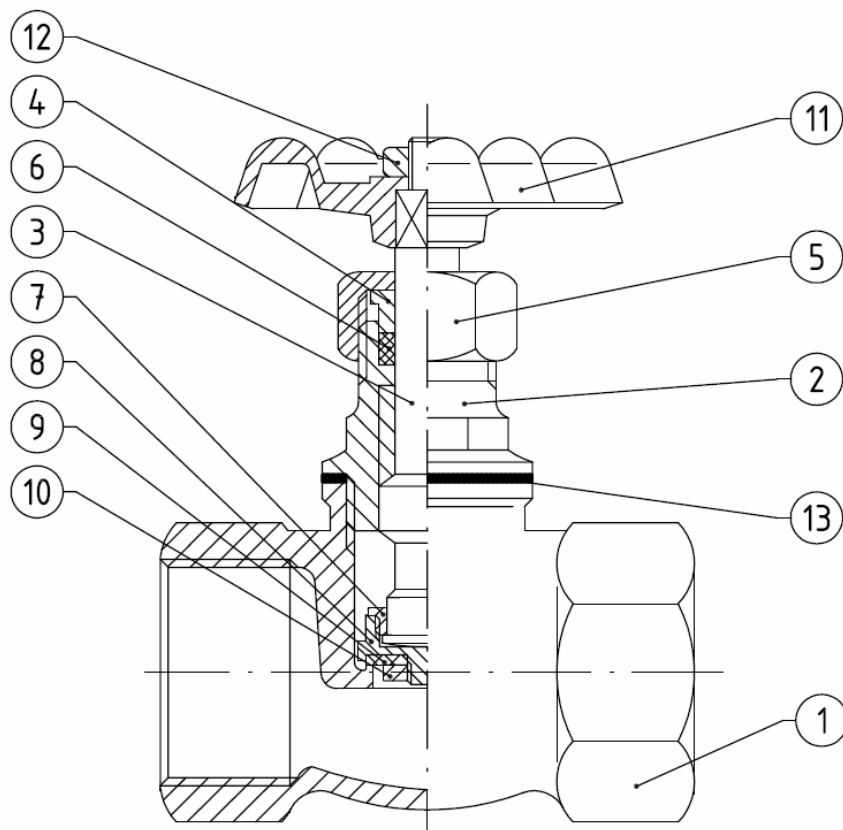
Item	Designation	Materials 460
1	Body	Bronze C83600 ASTM B62
2	Bonnet	Brass CW 617N according to EN 12165
3	Stem	Brass CW 614N according to EN 12164
4	Gland packing	Brass CW 614N according to EN 12164
5	Packing nut	Brass CW 614N according to EN 12164
6	Packing	PTFE
7	Ring	Brass CW 614N according to EN 12164
8	Disc	Brass CW 614N according to EN 12164
9	Handwheel	Aluminium GD12FE UNI EN 1706
10	Handwheel nut	Steel 6S UNI 5589
11	Bonnet gasket ( DN 1/4" to 1" )	Red fiber



**REF. 460-462**

**BRONZE GLOBE VALVE PN16**

**MATERIALS FOR TYPE 462 PTFE DISC :**



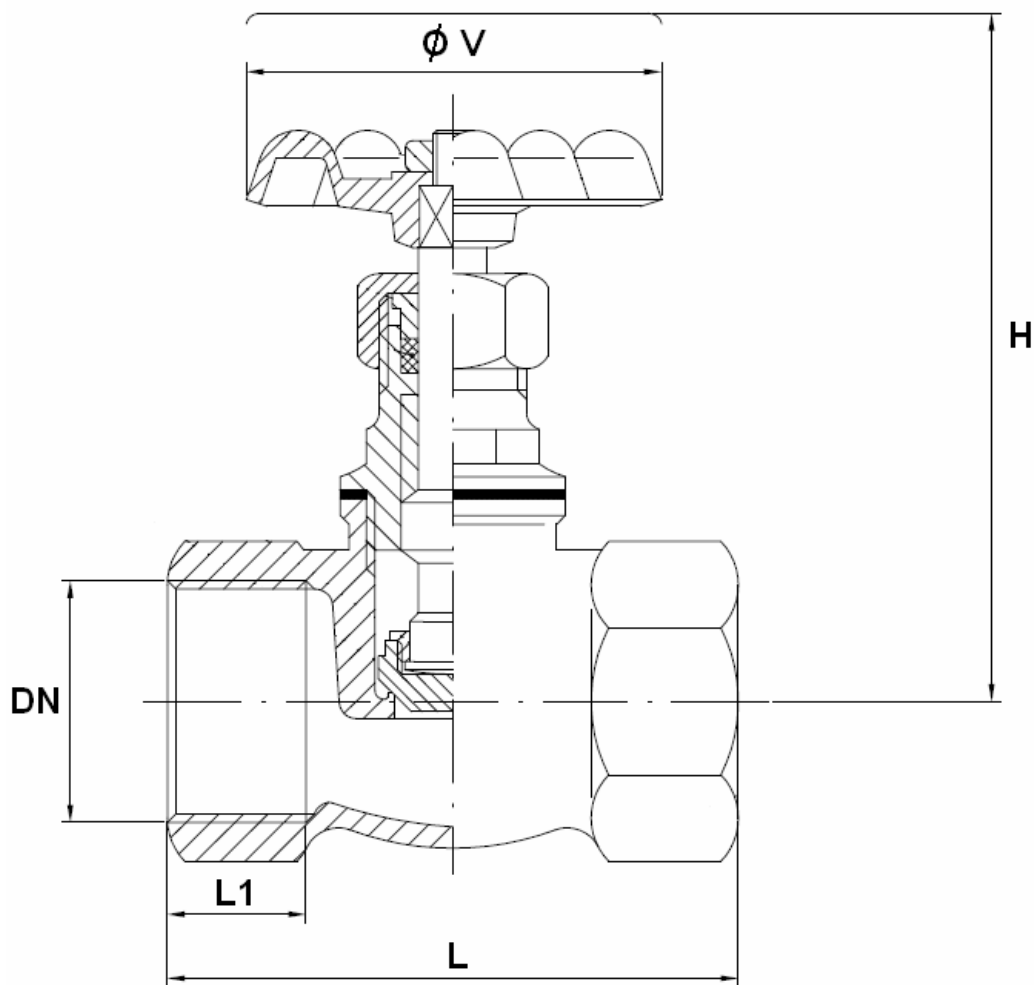
Item	Designation	Materials 462
1	Body	Bronze C83600 ASTM B62
2	Bonnet	Brass CW 617N according to EN 12165
3	Stem	Brass CW 614N according to EN 12164
4	Packing gland	Brass CW 614N according to EN 12164
5	Packing nut	Brass CW 614N according to EN 12164
6	Packing	PTFE
7	Ring	Brass CW 614N according to EN 12164
8	Disc	Brass CW 614N according to EN 12164
9	Disc ring	PTFE
10	Disc nut	Brass CW 614N according to EN 12164
11	Handwheel	Aluminium GD12FE UNI EN1706
12	Handwheel nut	Steel 6S UNI 5589
13	Bonnet gasket ( DN 1/4" au 1" )	Red Fiber



**REF. 460-462**

**BRONZE GLOBE VALVE PN16**

**SIZE REF. 460 BRASS DISC ( in mm ) :**



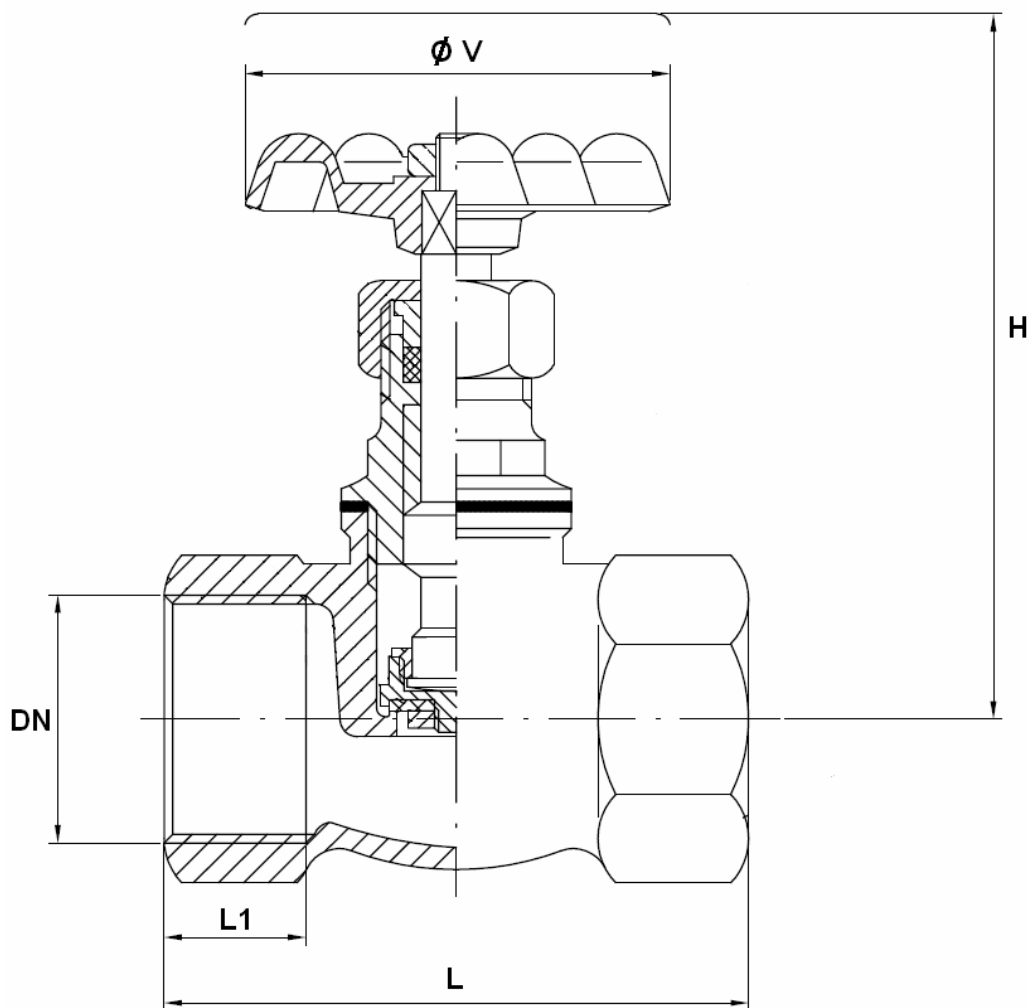
REF.	DN	1/4"	3/8"	1/2"	3/4"	1"	1"1/4	1"1/2	2"
460	L	45	45	49	55	63	72	89	100
	L1	9.5	9.5	11	13	12	15	15	19
	H ( opened )	66	66	67	78	90	100	125	145
	Ø V	50	50	50	50	55	60	70	80
	Weight ( Kg )	0.2	0.2	0.21	0.32	0.46	0.68	1.03	1.45



**REF. 460-462**

**BRONZE GLOBE VALVE PN16**

SIZE REF. 462 PTFE DISC ( in mm ) :



REF.	DN	1/4"	3/8"	1/2"	3/4"	1"	1"1/4	1"1/2	2"
462	L	45	45	49	55	63	72	89	100
	L1	9.5	9.5	11	13	12	15	15	19
	H ( opened )	66	66	67	78	90	100	125	145
	Ø V	50	50	50	50	55	60	70	80
	Weight ( Kg )	0.2	0.2	0.21	0.32	0.46	0.68	1.03	1.45



**REF. 460-462**

## **BRONZE GLOBE VALVE PN16**

### **STANDARDS :**

- Fabrication according to ISO 9001 : 2000
- DIRECTIVE 97/23/CE : CE N° 0497  
Risk Category III
- Threaded female BSP cylindric according to ISO 228/1

**ADVICE :** Our opinion and our advice are not guaranteed and SFERACO shall not be liable for the consequences of damages.  
The customer must check the right choice of the products with the real service conditions.





**REF. 460-462**

## **BRONZE GLOBE VALVE PN16**

### **INSTALLATION INSTRUCTIONS**

#### **GENERAL GUIDELINES :**

- Ensure that the valves to be used are appropriate for the conditions of the installation (type of fluid, pressure and temperature).
- Be sure to have enough valves to be able to isolate the sections of piping as well as the appropriate equipment for maintenance and repair.
- Ensure that the valves to be installed are of correct strength to be able to support the capacity of their usage.
- **Installation of all circuits should ensure that their function can be automatically tested on a regular basis (at least two times a year).**

#### **INSTALLATION INSTRUCTIONS :**

- **Before installing the valves, clean and remove any objects from the pipes** (in particular bits of sealing and metal) which could obstruct and block the valves.
- **Ensure that both connecting pipes either side of the valve (upstream and downstream) are aligned (if they're not, the valves may not work correctly).**
- **Make sure that the two sections of the pipe (upstream and downstream) match, the valve unit will not absorb any gaps. Any distortions in the pipes may affect the tightness of the connection, the working of the valve and can even cause a rupture.** To be sure, place the kit in position to ensure the assembling will work.
- The theoretical lengths given by ISO/R7 for the tapping are typically longer than required, the length of the thread should be limited, and **check that the end of the tube does not press right up to the head of the thread.**
- **Never use a vice to tighten the fixings of the valve.**
- **If sections of piping do not have their final support in place, they should be temporarily fixed. This is to avoid unnecessary strain on the valve.**
- **It may be necessary to screw the packing gland during using according to the type of use.**
- **Do not use a tool to shut the valve**
- **Fluids in the valve must not contain solid objects ( it could damaged the seat ).**
- It's recommended to operate the valve ( open and close ) 1 to 2 times per year