

k.60 Spring Return

heavy duty full port 1/4"-2"

hot forged brass ball valves

Access to fluid systems in public places could potentially convert into costs and safety problems. In order to avoid unattended valves being left open with negative economic or environmental consequences, **RuB** developed the automatic self-closing valve.

The valve can be opened normally by rotating the handle 90° and when the user releases the handle, the valve shuts off automatically.

Best solution for service stations, trucks, public areas, gardens.

The same features are also useful in industrial applications, where a valve must not be left open unattended.



Quality:

- 24h 100% seal test guaranteed
- Dual sealing system allows valve to be operated in either direction making installation easier
- No metal-to-metal moving parts
- No maintenance ever required
- Handle clearly shows ball position
- Silicone-free lubricant on all seals
- Chrome plated brass ball for longer life
- Handle stops on body to avoid stresses at stem

Body:

- Hot forged sand blasted, nickel plated brass body and cap sealed with Loctite® or equivalent threads sealant
- Valve length according to DIN 3202 M3 specification
- Finest brass according to EN 12165 and EN 12164 (formerly DIN 17660 and UNI 5705-65) specifications

Stem:

- Blowout-proof nickel plated brass stem
- Two FPM O-rings at the stem for maximum safety

Seals:

- Pure PTFE self-lubricating seats with flexible-lip design

PED Directives:

- Assessment according to Pressure Equipment Directive 97/23 CE module B+D by Pascal (1115)

Threads:

- EN 10226-1, ISO 228 parallel female by female threads

Flow:

- 100% Full port for maximum flow

Handle:

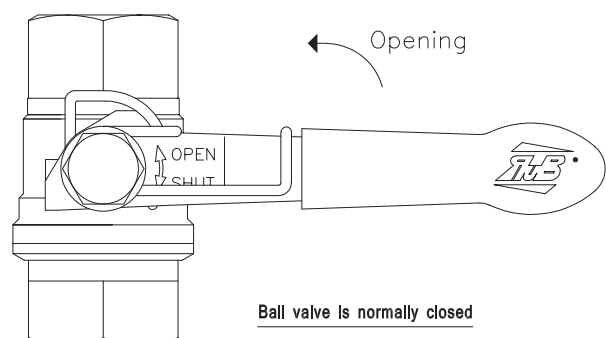
- Robust spring ensures auto shut-off with max pressure in valve
- Geomet® carbon steel handle with thick PVC dip coating. Handle coating offers both thermal and electrical protection

Working Pressure and Working Temperature:

- 65 Bar (940 PSI) up to 1/2", 40 Bar (600 PSI) over 1/2"
- non-shock cold working pressure
- For use with dangerous fluids temperature rating is -20°C +60°C and pressure rating is 5 bar (Kg/cm2)
- -20°C (-4°F) / +170°C (+350°F)
- Warning: freezing of the fluid in the installation may severely damage the valve

Upon Request:

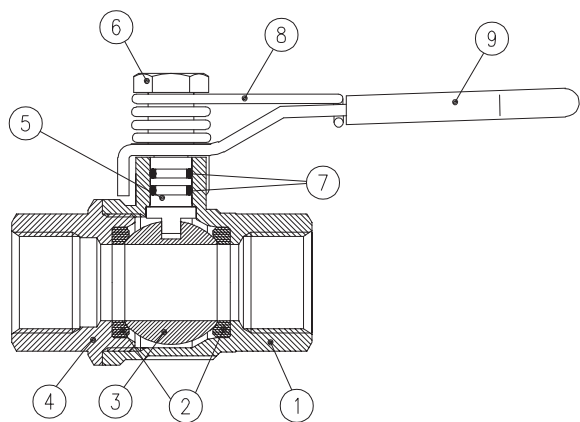
- AISI 316 stainless steel ball
- Custom Design
- AISI 430 stainless steel handle



Approved by or in compliance with:

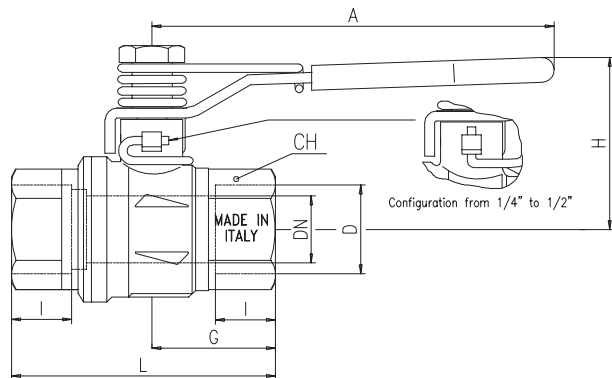
- DVGW (Deutschland)
- GOST-R (Russia)
- Hygiene and epidemic center in Moscow city (Russia)
- UkrSepro (Ukraine)
- RoHS Compliant
- EAC - Declaration of conformity (Russia-Kazakhstan-Belarus)

NOTE: Approvals apply to specific configurations/sizes only.



1.1/4"-2" Hollow ball

PART DESCRIPTION	Q.TY	MATERIAL	
1	Nickel plated body	1	CW617N
2	Seat	2	PTFE
3	Chrome plated ball	1	CW617N
4	Nickel plated end cap	1	CW617N
5	Nickel plated stem O-ring design	1	CW617N
6	Unplated spring nut	1	CW617N
7	O-Ring	2	FPM
8	Spring return	1	AISI302
9	Yellow PVC coated geomet® steel handle	1	DD11

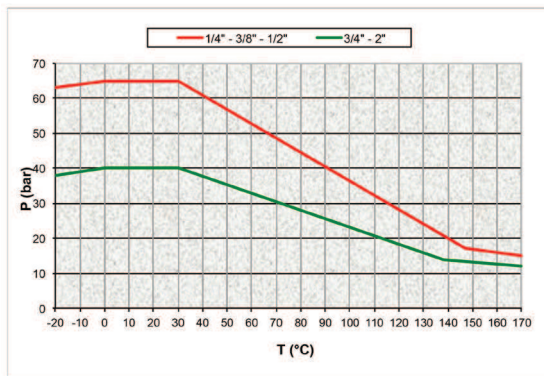


Code	S60B05M	S60C05M	S60D05M	S60E05M	S60F05M	S60G05M	S60H05M	S60I05M
D (inch)	1/4	3/8	1/2	3/4	1	1 1/4	1 1/2	2
DN (mm)	8	10	15	20	25	32	40	50
I (mm)	12.5	12.5	15.5	18	21	23	24.5	26.5
L (mm)	50	60	75	80	90	110	120	140
G (mm)	25.5	25.5	30.5	37	45.5	52	59	67.5
A (mm)	100	100	100	120	120	158	158	158
H (mm)	40	40	43	51	55	75	81	88
CH (mm)	22	22	27	32	41	50	55	70
PN (bar)	65	65	65	40	40	40	40	40

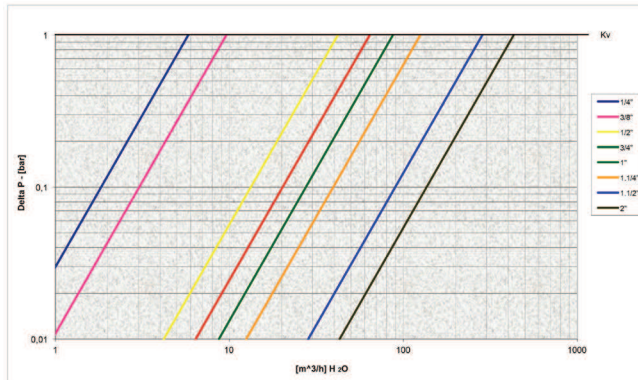
Ball valves are marked CE on handle from 1.1/4" to 2" as follow: CE 1115 cat IIIB+D PS: 5 GAS TS1: -20°C TS2: +60°C

Ask for additional information on the whole range of **RuB** valves and consult with your supplier for special applications.

Pressure-Temperature Chart



Pressure Drop Chart



The company reserves all rights for the information contained herein. Products may be changed at any time without notice. Any undated reference to a code or standard shall be interpreted as referring to the latest edition. **RuB** and logo are registered trademarks of **RuB**-Rubinetteria utensilerie Bonomi. Others logos and registered trademarks are property of respective owners.

