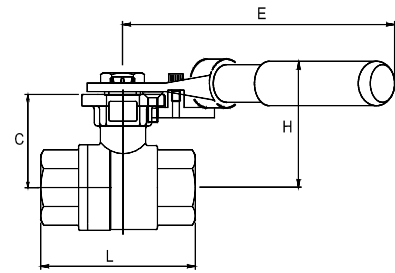




# TWO PIECE BALL VALVE FIG. 230 BA

## FIGURE:

- 231 BA IIT HSC:** BSP threaded, normally closed  
**232 BA IIT HSC:** NPT threaded, normally closed  
**231 BA IIT HSO:** BSP threaded, normally open  
**232 BA IIT HSO:** NPT threaded, normally open

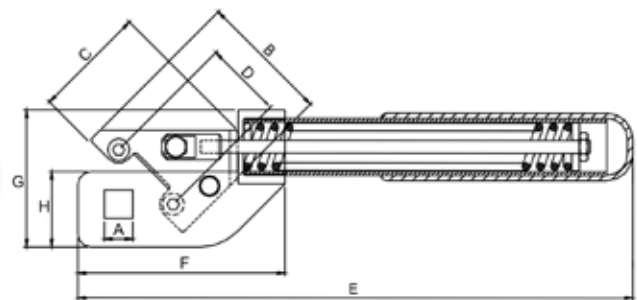


## DIMENSIONS: (mm)

Ø	DN	Lever	C	E	H	L	ISO 5211	KG
1/4"	8	04	38,6	160	58,6	65,0	F03/F04	0,63
3/8"	10	04	38,6	160	58,6	65,0	F03/F04	0,63
1/2"	15	04	38,6	160	58,6	65,0	F03/F04	0,76
3/4"	20	04	46,1	160	66,1	74,6	F03/F04	0,87
1"	25	06	56,6	160	76,6	88,0	F04/F05	1,22
1 1/4"	32	06	61,0	160	81,0	102,0	F04/F05	1,57
1 1/2"	40	08	77,5	210	97,5	110,0	F05/F07	2,62
2"	50	08	85,2	210	105,2	125,0	F05/F07	3,63

## MATERIALS:

Handle, nuts and bolts in stainless steel AISI 304  
 Spring in steel  
 With vinyl sleeve



## DIMENSIONS: (mm)

Ø	DN	Lever	A	B	C	D	E	F	G	H
1/4"	8	04	9,0	50,5	42,4	29,7	215	78	47	31
3/8"	10	04	9,0	50,5	42,4	29,7	215	78	47	31
1/2"	15	04	9,0	50,5	42,4	29,7	215	78	47	31
3/4"	20	04	9,0	50,5	42,4	29,7	215	78	47	31
1"	25	06	11,0	50,5	42,4	35,3	230	80	55	33
1 1/4"	32	06	11,0	50,5	42,4	35,3	230	80	55	33
1 1/2"	40	08	14,0	70,0	40,0	49,5	300	100	70	43
2"	50	08	14,0	70,0	40,0	49,5	300	100	70	43

Subject to changes